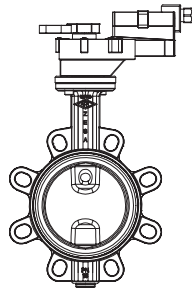


ARI-ZESA® EA - Fig. 012 - Free of maintenance butterfly valve with elongated eyelets - soft sealed

ARI-ZESA® EA

with electric rotary actuator EA

- Open/close or 3-point (EA1/EA2)
230 V 50/60Hz or 24V AC/DC
- Modulating 0(2)-10V (EA1Y/EA2Y)
24V AC/DC
- Enclosure IP 54



Page 2

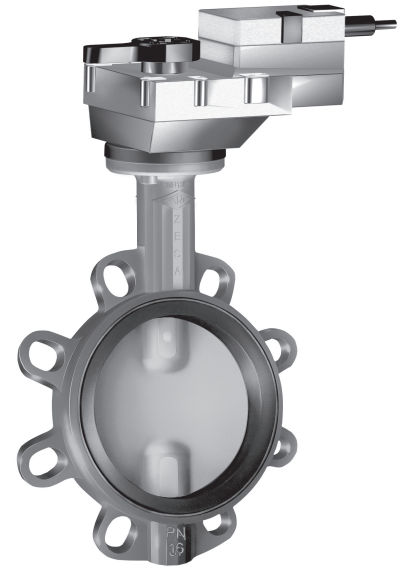


Fig. 012 - ARI-ZESA® EA

Features:

- Soft sealing
- Maintenance-free
- Good flow characteristic due to excellent Zeta-values
- Seat materials EPDM
- Double sealing of the stem
- Stainless steel disc (to DN 80)
- Complete insulation possible according to the german „Energy saving order - EnEV“
- Dew point barrier
- Central disc bearing
- Nodular iron body
- EPDM with DIN DVGW Reg. drinking water (DW-6201BR0244)
- **Wafer type**
- **Lug type on request**

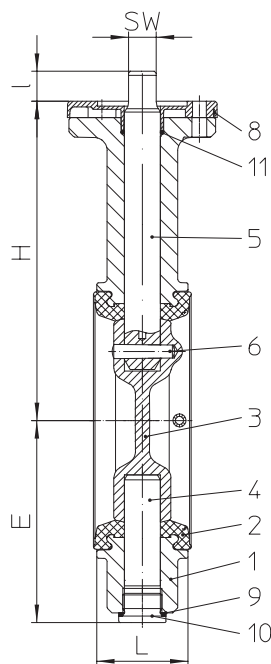
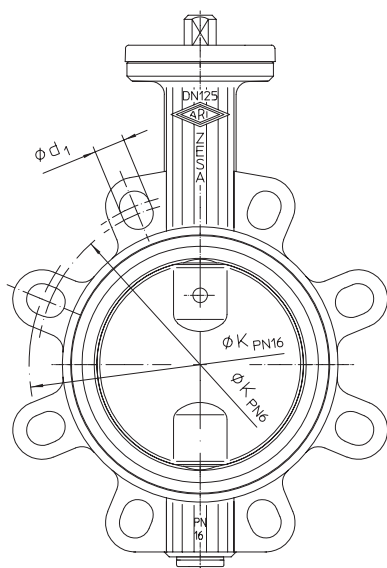
Butterfly valve with elongated eyelets (SG iron)


Figure	Nominal pressure	Material	Nominal diameter
20.012	PN6	EN-JS1030	DN25-200
21.012	PN10	EN-JS1030	DN25-200
22.012	PN16	EN-JS1030	DN25-200
Disc:	<ul style="list-style-type: none"> • 1.4581 (DN25-80) • EN-JS1030 (DN100-200) 		
Stem:	• 1.4021		
Seat:	• EPDM (- 10 °C to + 100 °C)		
max. Gauge press.:	<ul style="list-style-type: none"> • 6 bar (DN25-125) • 3 bar (DN150-200) 		
Test:			
Sealing leakage test	DIN EN 12266-1 Leakage rate A (DIN 3230 T3 Leakage rate 1)		
DVGW-Registration	EPDM DN25/32 – DN80 for water Reg.-No. DW-6201BR0244, acc. to DIN EN 1074-1/-2 incl. disinfection inspection, DVGW VP646 and DVGW W270 for drinking water		

Selection of possible applications

water installations in the building technology
(other applications on request)

Selection of possible flow media

Cold water, warm water, hot water, drinking water, process water, etc.
(other flow media on request)

Parts

Pos.	Description	Fig. 20./21./22.012 (EA)	
		DN 25-80	DN100-200
1	Body	EN-GJS-400-15, EN-JS1030	
2	Seat	EPDM	
3	Disc	GX5CrNiMoN19-11-2, 1.4581	EN-JS1030, EN-GJS-400-15 (Zinc lamella coating)
4	Pivot	X20Cr13+QT, 1.4021+QT	
5	Stem	X20Cr13+QT, 1.4021+QT	
6	Taper pin	X6CrNiMoTi17 12 2, 1.4571	
8	Insulating cap *	PA 6	
11	O-ring *	EPDM	

* Spare part

Information / restriction of technical rules need to be observed!

Operating instructions can be ordered by phone +49 (0)5207 / 994-0 or fax +49 (0)5207 / 994-158 or -159.

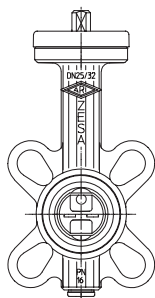
The engineer, designing a system or a plant, is responsible for the selection of the correct valve.

Dimensions and weights

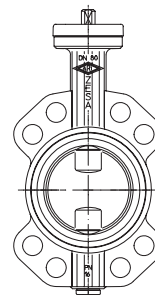
DN		25	32	40	50	65	80	100	125	150	200
L	(mm)	33	33	33	43	46	46	52	56	56	60
H	(mm)	128	128	134	140	150	158	179	196	212	246
E	(mm)	58	58	66	69	81	100	109	124	140	167
SW	(mm)	11	11	11	11	11	11	11	17	17	17
Kvs-value	(m ³ /h)	26	26,5	49,6	116	259	377	763	1030	1790	3460
Zeta-value	--	0,93	2,4	1,7	0,75	0,43	0,46	0,27	0,37	0,25	0,21
Weights	(kg)	1,4	1,4	1,6	2	2,6	3,2	4	4,6	8,6	12,6

Standard-flange dimensions refer to page 3

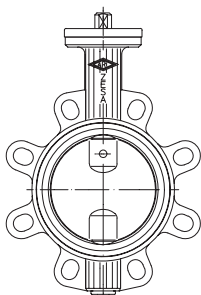
Face-to-face dimension FTF series 20 acc. to DIN EN 558-1 (DIN 3202 T3 Reihe K1)



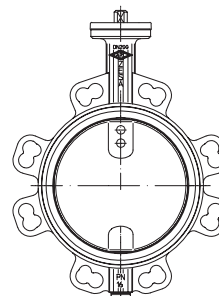
DN25-65



DN80-100



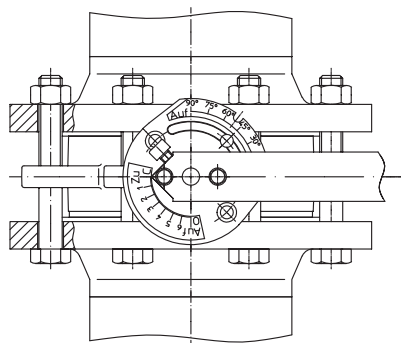
DN125-150



DN200

Pressure-temperature-ratings

Material	PN		-10°C to 100°C
EN-JS1030	16	bar	16



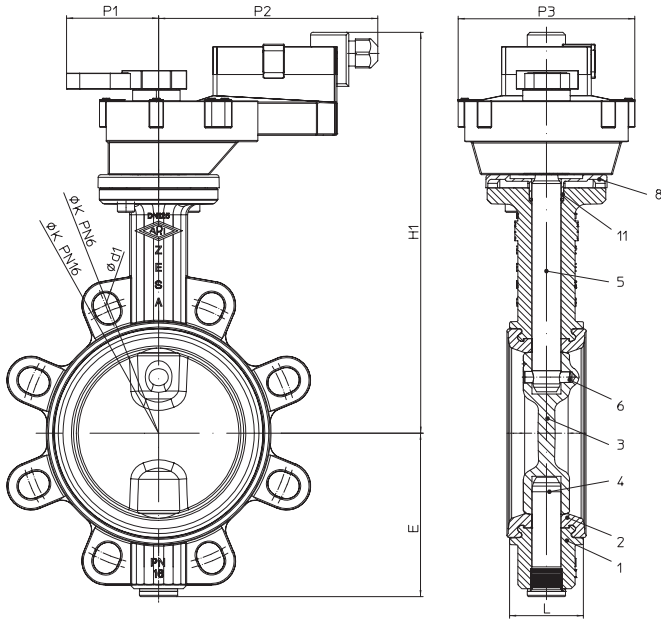
ZESA®-Wafer-type-valve

welding neck flanges
PN 6 / PN 10 / PN 16
DIN EN 1092-1 / 11 / B1
Hexagon screw
DIN EN ISO 4016 W.-Nr. 4.6
Hexagon nut
DIN EN ISO 4034 W.-Nr. 5

Standard-flange dimensions / Hexagon screw (Quantity, Thread, Length)

		DN	25 ¹⁾	32 ¹⁾	40	50	65	80	100	125	150	200
PN6	ØK	(mm)	75	90	100	110	130	150	170	200	225	280
PN6	n x Ød1	(mm)	4x11	4x14	4x14	4x14	4x14	4x18	4x18	8x18	8x18	8x18
PN6	Quantity	(pcs.)	4	4	4	4	4	4	4	8	8	8
PN6	Thread		M10	M12	M12	M12	M12	M16	M16	M16	M16	M16
PN6	Length	(mm)	80	80	80	90	90	100	110	120	120	130
PN10	ØK	(mm)	85	100	110	125	145	160	180	210	240	295
PN10	n x Ød1	(mm)	4x14	4x18	4x18	4x18	4x18	4x18	4x18	8x18	8x22	8x22
PN10	Quantity	(pcs.)	4	4	4	4	4	8	8	8	8	8
PN10	Thread		M12	M16	M16	M16	M16	M16	M16	M16	M20	M20
PN10	Length	(mm)	90	90	90	90	110	110	120	130	130	140
PN16	ØK	(mm)	85	100	110	125	145	160	180	210	240	295
PN16	n x Ød1	(mm)	4x14	4x18	4x18	4x18	4x18	8x18	8x18	8x18	8x22	12x22
PN16	Quantity	(pcs.)	4	4	4	4	4	8	8	8	8	12
PN16	Thread		M12	M16	M16	M16	M16	M16	M16	M16	M20	M20
PN16	Length	(mm)	90	90	90	100	110	110	120	130	130	140

¹⁾ DN 25/32 suitable for flanges PN16 / DN 20

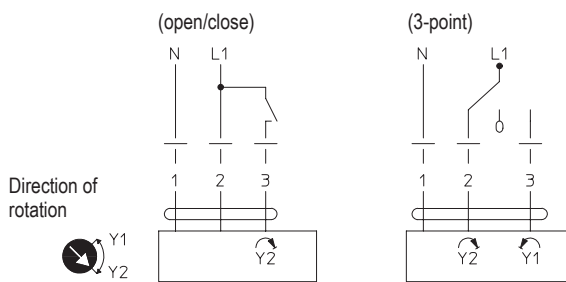
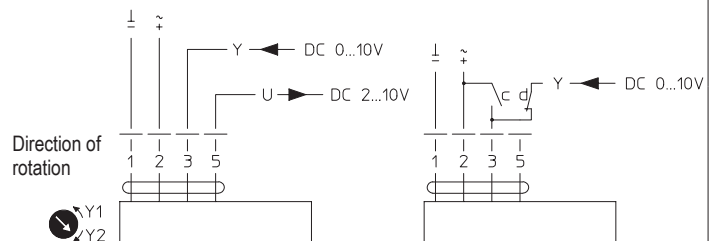
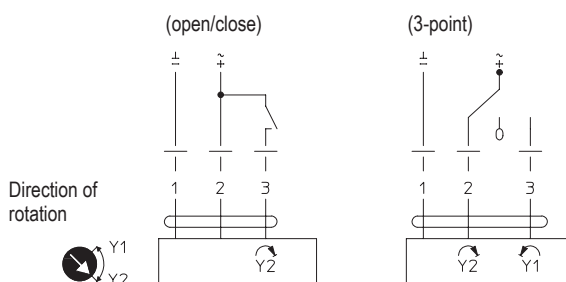
Butterfly valve with electric rotary actuator Type: EA

EA
Electric rotary actuator

- open/close or 3-point (EA1/EA2)
230V 50/60Hz or 24V AC/DC
- modulating 0(2)-10V (EA1Y/EA2Y)
24V AC/DC
- Enclosure IP 54
- Manual operating device
- **Accessories:**
- box with 2 limit switches for signalisation

Dimensions and weights

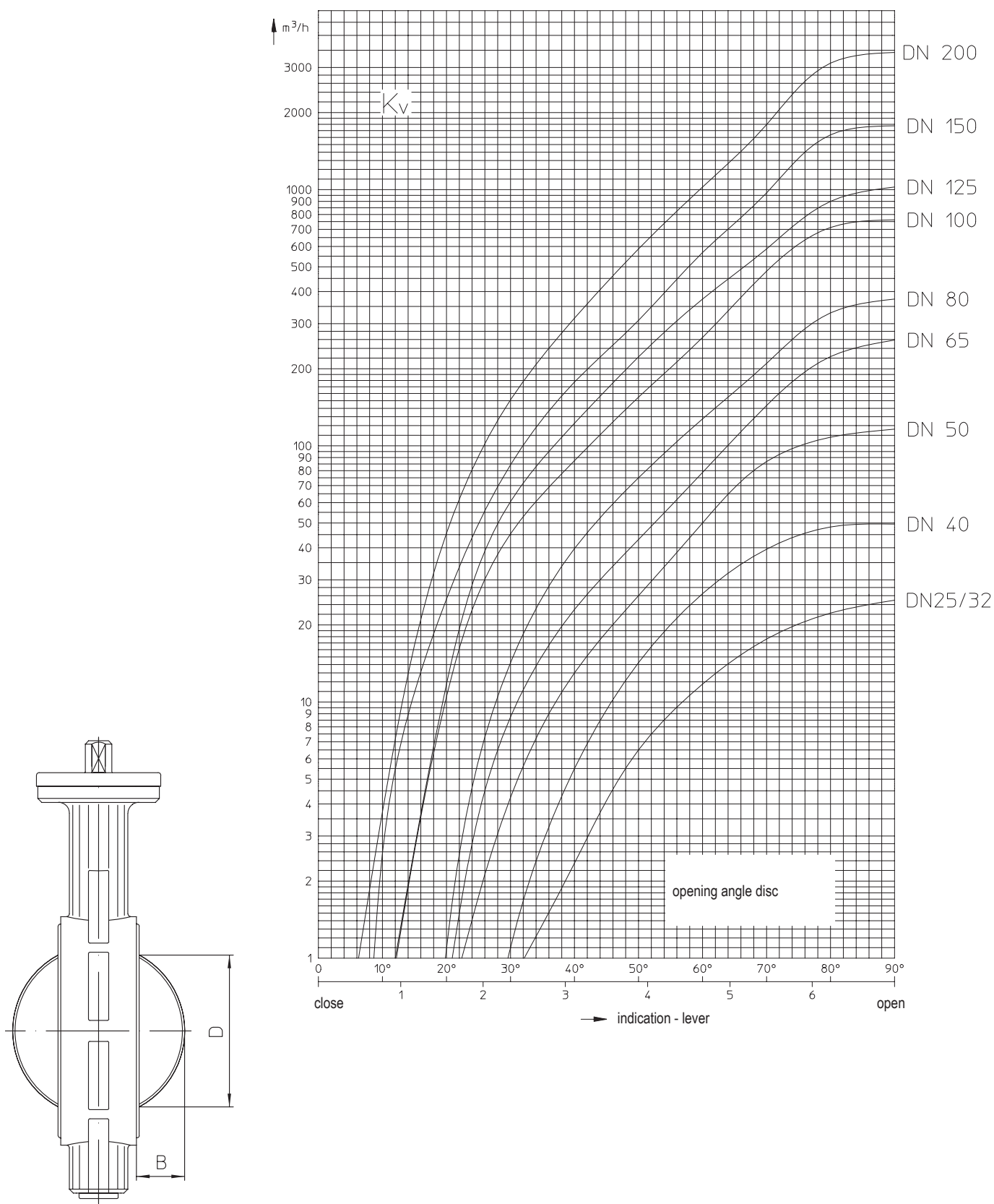
DN		25	32	40	50	65	80	100	125	150	200	
H1	(mm)	212	212	218	224	234	242	263	293	309	343	
P1	(mm)	70 (with lever extension: 176)							69			
P2	(mm)	142							166			
P3	(mm)	95							134			
Type of actuator $\Delta P = 6$ bar		EA1							EA2	--		
Type of actuator $\Delta P = 3$ bar		--							--	EA2		
Operating time (s)		90							150			
Weight ZESA® EA (kg)		2,4	2,4	2,6	3	3,6	4,2	5	8,3	10,3	14,3	

For connection refer to terminal connection in the operating instructions of the actuator !

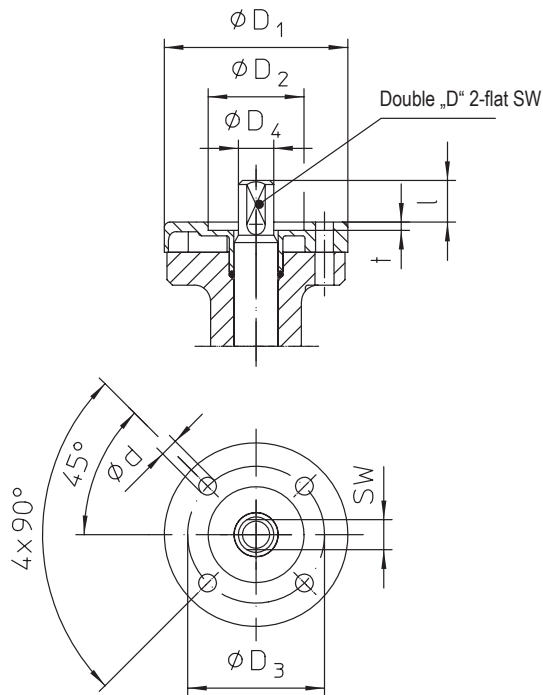
Standard: EA1/EA2 - 230V 50/60Hz

Standard EA1Y/EA2Y - 24V AC/DC (modulating)

Standard: EA1/EA2 - 24V AC/DC


Kvs- and Zeta-values

	DN	25	32	40	50	65	80	100	125	150	200
Kvs-value	(m ³ /h)	26	26,5	49,6	116	259	377	763	1030	1790	3460
Zeta-value	--	0,93	2,4	1,7	0,75	0,43	0,46	0,27	0,37	0,25	0,21


Difference between disc outside-diameter and face-to-face

	DN	25	32	40	50	65	80	100	125	150	200
B	(mm)	--	--	5	5	11	18	25	36	48	71
D	(mm)	--	--	26	29	49	68	88	115	142	194



	DN	25	32	40	50	65	80	100	125	150	200
Connection ISO 5211					F 05					F 07	
Double „D“ 2-flat SW	(mm)				11 _{d11}					17 _{d11}	
ϕd	(mm)				7					9	
ϕD_1	(mm)				65					90	
ϕD_2	(mm)				35 ^{H10}					55 ^{H10}	
ϕD_3	(mm)				50					70	
ϕD_4	(mm)				12,9					19,7	
l	(mm)				15					18	
t	(mm)				3					3	

Please indicate when ordering

- Figure-No. - stem / disc material
- Nominal pressure - Actuator
- Nominal diameter - Special design / accessories
- Soft seal seat material

Example:

Figure 22.012; nominal pressure PN16; nominal diameter DN80; seat of EPDM, disc/stem of 1.4581/1.4021, with actuator EA.

 Dimensions in mm
 Weights in kg
 1 bar \triangleq 10⁵ Pa \triangleq 0,1 MPa
 Kvs in m³/h

Technology for the Future.
 GERMAN QUALITY VALVES

 ARI-Armaturen Albert Richter GmbH & Co. KG, D-33756 Schloß Holte-Stukenbrock,
 Tel. +49 52 07 / 994-0, Telefax +49 52 07 / 994-158 or 159 Internet: <http://www.ari-armaturen.com> E-mail: info.vertrieb@ari-armaturen.com