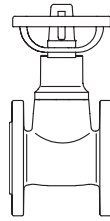


Free of maintenance stop valve - soft sealed (to 120°C)



**ARI-EURO-WEDI® -**  
Straight through with flanges

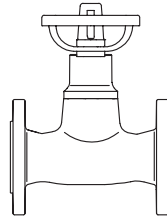
Grey cast iron  
**Fig. 070**



Page 2

**ARI-EURO-WEDI® -**  
Straight through with flanges

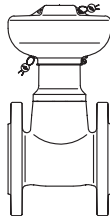
Grey cast iron  
**Fig. 071**



Page 2

**ARI-EURO-WEDI® - Hood valve**  
Straight through with flanges

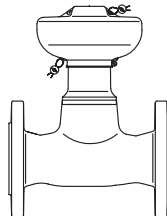
Grey cast iron  
**Fig. 072**



Page 3

**ARI-EURO-WEDI® - Hood valve**  
Straight through with flanges

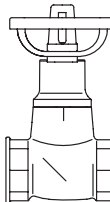
Grey cast iron  
**Fig. 073**



Page 3

**ARI-EURO-WEDI® -**  
Straight through  
with screwed socket connection

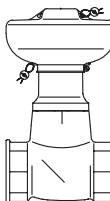
Grey cast iron  
**Fig. 076**



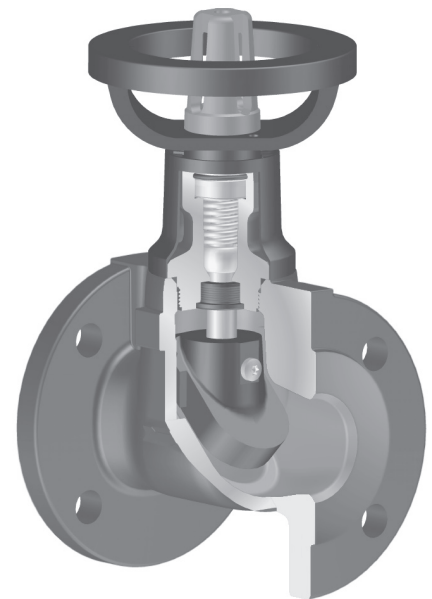
Page 4

**ARI-EURO-WEDI® - Hood valve**  
Straight through  
with screwed socket connection

Grey cast iron  
**Fig. 078**



Page 5



**Fig. 070**

**Features:**

- Maintenance-free
- Soft sealing
- Good flow characteristic due to excellent Zeta-values
- Position indicator as standard
- Plug with throttling function
- Travel limiter and locking device available
- Non-rising handwheel
- Non-rotation lock for all nominal diameters
- External stem thread
- Self-aligning stem bearing
- EDD- Special stem seal
- Double sealing mechanism
- Free of CFC and PCB
- Insulating cap with integrated dew point barrier
- Complete insulation possible according to the german „Energy saving order - EnEV“

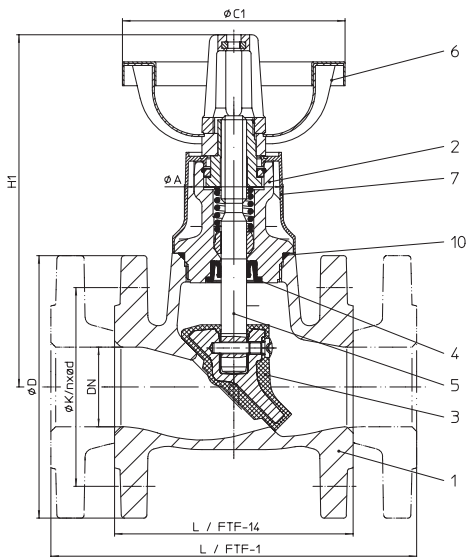
**Stop valve - straight through with flanges and soft seal - Face-to-face length FTF-14 and FTF-1 (Grey cast iron)**

Figure	Nominal pressure	Material	Nominal diameter	Face-to-face dimension
10.070	PN 6	EN-JL1040	DN15-200	FTF-14
12.070	PN 16	EN-JL1040	DN15-200	FTF-14
10.071	PN 6	EN-JL1040	DN15-200	FTF-1
12.071	PN 16	EN-JL1040	DN15-200	FTF-1

**EPDM-plug; unsuitable for media containing mineral oil !**
**Operating temperature: -10°C to +120°C (for a short time up to +130°C)**
**Selection of possible applications**

 Heating facilities, AIR conditioning facilities  
 (other applications on request)

**Selection of possible flow media**

 Water, water with cold-protection, etc.  
 (other flow media on request)

**Parts**

Pos.	Description	Fig. 10.070 / 12.070 / 10.071 / 12.071
1	Body	EN-JL1040, EN-GJL-250
2	Bonnet	EN-JL1040, EN-GJL-250
3	Plug *	GTW / EPDM
4	Sealing ring	EPDM 70 (EDD- Special stem seal)
5	Stem	X20Cr13+QT, 1.4021+QT
6	Handwheel	DN15-65: PA 6; DN80-150: DC01, 1.0330 (epoxy-coating); DN200: EN-GJS-400-15, EN-JS1030 (epoxy-coating)
7	Insulating cap	PA 6.6 (eroded acc. to VDI 3400/39)
10	O-ring *	EPDM 70

\* Spare part

Information / restriction of technical rules need to be observed!

Operating instructions can be ordered by phone +49 (0)5207 / 994-0 or fax +49 (0)5207 / 994-158 or -159.

ARI-Valves of EN-JL1040 are not allowed to be operated in systems acc. to TRD 110.

The engineer, designing a system or a plant, is responsible for the selection of the correct valve.

**Dimensions**

Nominal diameter	(mm)	15	20	25	32	40	50	65	80	100	125	150	200
L / FTF-14 (10./12.070)	(mm)	115	120	125	130	140	150	170	180	190	200	210	230
L / FTF-1 (10./12.071)	(mm)	130	150	160	180	200	230	290	310	350	400	480	600
H1	(mm)	190	190	190	190	215	225	255	305	330	380	455	630
ØA	(mm)	60	60	60	60	60	60	60	87	87	87	87	87
ØC1 (10.070: FTF-14 / PN 6)	(mm)	110	110	110	110	140	140	140	180	180	180	210	210
ØC1 (12.070: FTF-14 / PN 16)	(mm)	110	110	110	110	140	140	140	180	180	180	210	400
ØC1 (10.071: FTF-1 / PN 6)	(mm)	110	110	110	110	140	140	140	180	180	210	210	210
ØC1 (12.071: FTF-1 / PN 16)	(mm)	110	110	110	110	140	140	140	180	180	210	210	400
Travel	(mm)	20	20	20	20	24	30	39	48	60	75	90	125
Kvs-value (10./12.070: FTF-14)	(m³/h)	15,3	21,6	31,1	50	62	91	136	250	383	533	833	1518
Kvs-value (10./12.071: FTF-1)	(m³/h)	19,6	26,3	32,2	53,6	62,8	94,5	156	242,5	369	532	878	1533
Zeta-value (10./12.070: FTF-14)	--	0,3	0,5	0,8	0,7	1,1	1,2	1,5	1,0	1,1	1,4	1,2	1,1
Zeta-value (10./12.071: FTF-1)	--	0,3	0,4	0,6	1,0	1,1	1,2	1,1	1,2	1,4	1,1	1,1	1,1

Zeta-value ... range of tolerance for Kvs-values acc. to VDI/VDE 2173

Handwheel-diameter ≥ DN 65 at Δp ≥ 10 bar, look at ARI-TL 0060000065.

Standard-flange dimensions refer to page 6

Face-to-face length FTF series 14 and series 1 according to DIN EN 558-1

**Weights**

Nominal diameter	(mm)	15	20	25	32	40	50	65	80	100	125	150	200
10.070	(kg)	2,9	3,3	3,6	4,3	6,2	7,0	8,3	14,9	21,0	24,9	33,2	65,0
12.070	(kg)	3,4	3,8	4,3	5,4	7,6	9,1	11,9	16,5	24,2	28,6	38,3	74,0
10.071	(kg)	3,0	3,4	3,7	4,6	6,6	7,7	9,7	16,7	25,0	31,0	43,0	95,0
12.071	(kg)	3,5	3,9	4,5	5,6	8,0	9,8	13,3	18,3	28,6	34,8	48,8	105,0

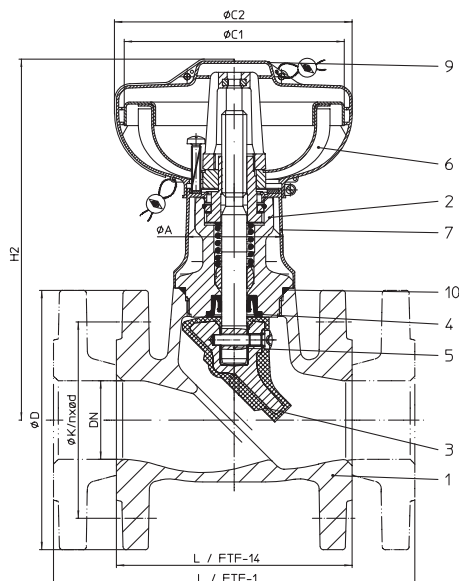
**Stop valve - straight through with flanges and soft seal - as hood valve - Face-to-face length FTF-14 and FTF-1 (Grey cast iron)**


Figure	Nominal pressure	Material	Nominal diameter	Face-to-face dimension
10.072	PN 6	EN-JL1040	DN15-200	FTF-14
12.072	PN 16	EN-JL1040	DN15-200	FTF-14
10.073	PN 6	EN-JL1040	DN15-200	FTF-1
12.073	PN 16	EN-JL1040	DN15-200	FTF-1

**EURO-WEDI-hood valve for protection of unauthorized closure according to DIN EN 12828.**

**Handwheel- $\phi$  from DN125 reduced.**

**EPDM-plug; unsuitable for media containing mineral oil !**

**Operating temperature: -10°C to +120°C (for a short time up to +130°C)**

**Selection of possible applications**

Heating facilities, AIR conditioning facilities  
(other applications on request)

**Selection of possible flow media**

Water, water with cold-protection, etc.  
(other flow media on request)

**Parts**

Pos.	Description	Fig. 10.072 / 12.072 / 10.073 / 12.073
1	Body	EN-JL1040, EN-GJL-250
2	Bonnet	EN-JL1040, EN-GJL-250
3	Plug *	GTW / EPDM
4	Sealing ring	EPDM 70 (EDD- Special stem seal)
5	Stem	X20Cr13+QT, 1.4021+QT
6	Handwheel	DN15-65: PA 6; DN80-150: DC01, 1.0330 (epoxy-coating); DN200: EN-GJS-400-15, EN-JS1030 (epoxy-coating)
7	Insulating cap	PA 6.6 (eroded acc. to VDI 3400/39)
9	Guard cap	PP
10	O-ring *	EPDM 70

\* Spare part

Information / restriction of technical rules need to be observed!

Operating instructions can be ordered by phone +49 (0)5207 / 994-0 or fax +49 (0)5207 / 994-158 or -159.

ARI-Valves of EN-JL1040 are not allowed to be operated in systems acc. to TRD 110.

The engineer, designing a system or a plant, is responsible for the selection of the correct valve.

**Dimensions**

Nominal diameter	(mm)	15	20	25	32	40	50	65	80	100	125	150	200
L / FTF-14 (10./12.072)	(mm)	115	120	125	130	140	150	170	180	190	200	210	230
L / FTF-1 (10./12.073)	(mm)	130	150	160	180	200	230	290	310	350	400	480	600
H2	(mm)	195	195	195	195	220	230	260	330	355	405	460	630
ØA	(mm)	60	60	60	60	60	60	60	87	87	87	87	87
ØC1	(mm)	110	110	110	110	140	140	140	180	180	180	180	180
ØC2	(mm)	120	120	120	120	150	150	150	190	190	190	190	190
Travel	(mm)	20	20	20	20	24	30	39	48	60	75	90	125
Kvs-value (10./12.072: FTF-14)	(m <sup>3</sup> /h)	15,3	21,6	31,1	50	62	91	136	250	383	533	833	1518
Kvs-value (10./12.073: FTF-1)	(m <sup>3</sup> /h)	19,6	26,3	32,2	53,6	62,8	94,5	156	242,5	369	532	878	1533
Zeta-value (10./12.072: FTF-14)	--	0,3	0,5	0,8	0,7	1,1	1,2	1,5	1,0	1,1	1,4	1,2	1,1
Zeta-value (10./12.073: FTF-1)	--	0,3	0,4	0,6	0,6	1,0	1,1	1,2	1,1	1,2	1,4	1,1	1,1

Zeta-value ... range of tolerance for Kvs-values acc. to VDI/DE 2173

Standard-flange dimensions refer to page 6

Face-to-face length FTF series 14 and series 1 according to DIN EN 558-1

**Weights**

Nominal diameter	(mm)	15	20	25	32	40	50	65	80	100	125	150	200
10.072	(kg)	2,9	3,3	3,6	4,3	6,2	7,0	8,3	14,9	21,0	24,9	33,2	65,0
12.072	(kg)	3,4	3,8	4,3	5,4	7,6	9,1	11,9	16,5	24,2	28,6	38,3	74,0
10.073	(kg)	3,0	3,4	3,7	4,6	6,6	7,7	9,7	16,7	25,0	31,0	43,0	95,0
12.073	(kg)	3,5	3,9	4,5	5,6	8,0	9,8	13,3	18,3	28,6	34,8	48,8	105,0

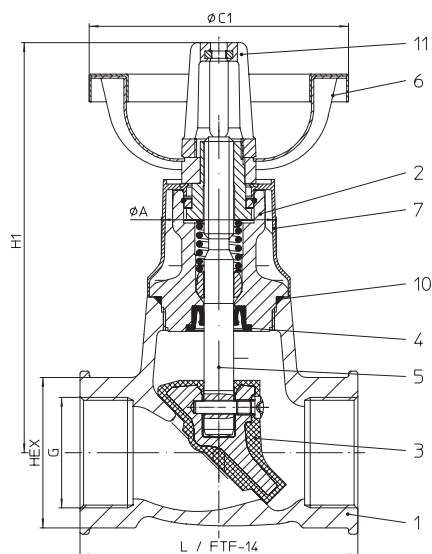
**Stop valve - straight through with screwed socket connection and soft seal - Face-to-face length FTF-14 (Grey cast iron)**


Figure	Nominal pressure	Material	Nominal diameter	Face-to-face dimension
12.076	PN16	EN-JL1040	DN15-50 G 1/2 - 2	FTF-14

**EPDM-plug; unsuitable for media containing mineral oil !**

**Operating temperature: -10°C to +120°C (for a short time up to +130°C)**

**Selection of possible applications**

Heating facilities, AIR conditioning facilities  
(other applications on request)

**Selection of possible flow media**

Water, water with cold-protection, etc.  
(other flow media on request)

**Parts**

Pos.	Description	Fig. 12.076
1	Body	EN-JL1040, EN-GJL-250
2	Bonnet	EN-JL1040, EN-GJL-250
3	Plug *	GTW / EPDM
4	Sealing ring	EPDM 70 (EDD- Special stem seal)
5	Stem	X20Cr13+QT, 1.4021+QT
6	Handwheel	PA 6
7	Insulating cap	PA 6.6 (eroded acc. to VDI 3400/39)
10	O-ring *	EPDM 70

\* Spare part

Information / restriction of technical rules need to be observed!

Operating instructions can be ordered by phone +49 (0)5207 / 994-0 or fax +49 (0)5207 / 994-158 or -159.

ARI-Valves of EN-JL1040 are not allowed to be operated in systems acc. to TRD 110.

The engineer, designing a system or a plant, is responsible for the selection of the correct valve.

**Dimensions**

Nominal diameter	(mm)	15	20	25	32	40	50
	(inch)	1/2	3/4	1	1 1/4	1 1/2	2
L	(mm)	115	120	125	130	140	150
G	(inch)	1/2	3/4	1	1 1/4	1 1/2	2
H1	(mm)	190	190	190	190	215	225
HEX	(mm)	32 (hex.)	41 (hex.)	46 (hex.)	55 (oct.)	65 (oct.)	75 (oct.)
ØA	(mm)	60	60	60	60	60	60
ØC1	(mm)	110	110	110	110	140	140
Travel	(mm)	20	20	20	20	24	30
Kvs-value	(m³/h)	15,3	21,6	31,1	50,0	62,0	91,0
Zeta-value	--	0,3	0,5	0,8	0,7	1,1	1,2

Zeta-value ... range of tolerance for Kvs-values acc. to VDI/VDE 2173

Face-to-face length FTF series 14 according to DIN EN 558-1

Screwed sockets according to DIN ISO 228-1

**Weights**

Nominal diameter	(mm)	15	20	25	32	40	50
	(inch)	1/2	3/4	1	1 1/4	1 1/2	2
12.076	(kg)	2,5	2,8	3,1	3,2	5,2	6,2

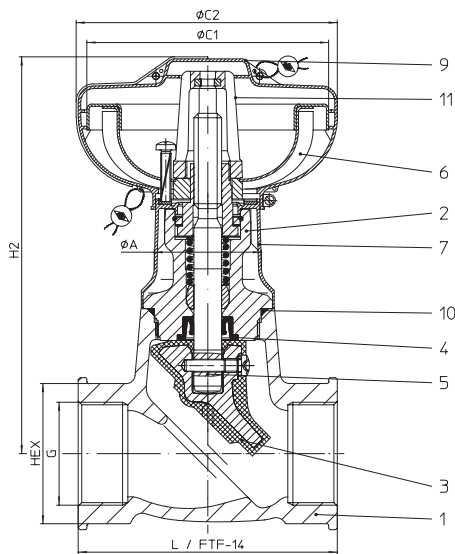
**Stop valve - straight through with screwed socket connection and soft seal - as hood valve - Face-to-face length FTF-14 (Grey cast iron)**


Figure	Nominal pressure	Material	Nominal diameter	Face-to-face dimension
12.078	PN16	EN-JL1040	DN15-50 G 1/2 - 2	FTF-14

EURO-WEDI-hood valve for protection of unauthorized closure according to DIN EN 12828.

EPDM-plug; unsuitable for media containing mineral oil !

Operating temperature: -10°C to +120°C (for a short time up to +130°C)

**Selection of possible applications**

Heating facilities, AIR conditioning facilities  
(other applications on request)

**Selection of possible flow media**

Water, water with cold-protection, etc.  
(other flow media on request)

**Parts**

Pos.	Description	Fig. 12.078
1	Body	EN-JL1040, EN-GJL-250
2	Bonnet	EN-JL1040, EN-GJL-250
3	Plug *	GTW / EPDM
4	Sealing ring	EPDM 70 (EDD- Special stem seal)
5	Stem	X20Cr13+QT, 1.4021+QT
6	Handwheel	PA 6
7	Insulating cap	PA 6.6 (eroded acc. to VDI 3400/39)
9	Guard cap	PP
10	O-ring *	EPDM 70

\* Spare part

Information / restriction of technical rules need to be observed!

Operating instructions can be ordered by phone +49 (0)5207 / 994-0 or fax +49 (0)5207 / 994-158 or -159.

ARI-Valves of EN-JL1040 are not allowed to be operated in systems acc. to TRD 110.

The engineer, designing a system or a plant, is responsible for the selection of the correct valve.

**Dimensions**

Nominal diameter	(mm)	15	20	25	32	40	50
	(inch)	1/2	3/4	1	1 1/4	1 1/2	2
L	(mm)	115	120	125	130	140	150
G	(inch)	1/2	3/4	1	1 1/4	1 1/2	2
H2	(mm)	195	195	195	195	220	230
HEX	(mm)	32 (hex.)	41 (hex.)	46 (hex.)	55 (oct.)	65 (oct.)	75 (oct.)
ØA	(mm)	60	60	60	60	60	60
ØC1	(mm)	110	110	110	110	140	140
ØC2	(mm)	120	120	120	120	150	150
Travel	(mm)	20	20	20	20	24	30
Kvs-value	(m³/h)	15,3	21,6	31,1	50,0	62,0	91,0
Zeta-value	--	0,3	0,5	0,8	0,7	1,1	1,2

Zeta-value ... range of tolerance for Kvs-values acc. to VDI/VDI 2173

Face-to-face length FTF series 14 according to DIN EN 558-1

Screwed sockets according to DIN ISO 228-1

**Weights**

Nominal diameter	(mm)	15	20	25	32	40	50
	(inch)	1/2	3/4	1	1 1/4	1 1/2	2
12.078	(kg)	2,5	2,8	3,1	3,2	5,2	6,2

**Standard-flange dimensions**

Flanges acc. to DIN EN 1092-2 (Flangeholes / -thickness tolerances acc. to DIN 2531/2533)

DN		(mm)	15	20	25	32	40	50	65	80	100	125	150	200
PN6	ØD	(mm)	80	90	100	120	130	140	160	190	210	240	265	320
PN6	ØK	(mm)	55	65	75	90	100	110	130	150	170	200	225	280
PN6	n x Ød	(mm)	4x11	4x11	4x11	4x14	4x14	4x14	4x14	4x18	4x18	8x18	8x18	8x18
PN16	ØD	(mm)	95	105	115	140	150	165	185	200	220	250	285	340
PN16	ØK	(mm)	65	75	85	100	110	125	145	160	180	210	240	295
PN16	n x Ød	(mm)	4x14	4x14	4x14	4x18	4x18	4x18	4x18	8x18	8x18	8x18	8x22	12x22

**Pressure-temperature-ratings acc. to DIN EN 1092-2**

Material	PN		-10°C to 120°C	120°C	130°C
EN-JL1040	6	bar	6	6	5,8
EN-JL1040	16	bar	16	16	15,5

**Please indicate when ordering**

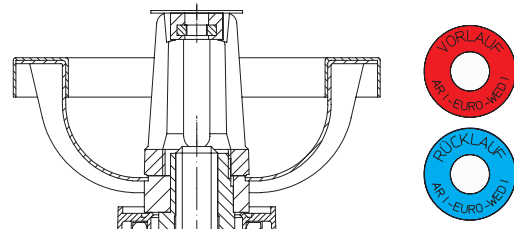
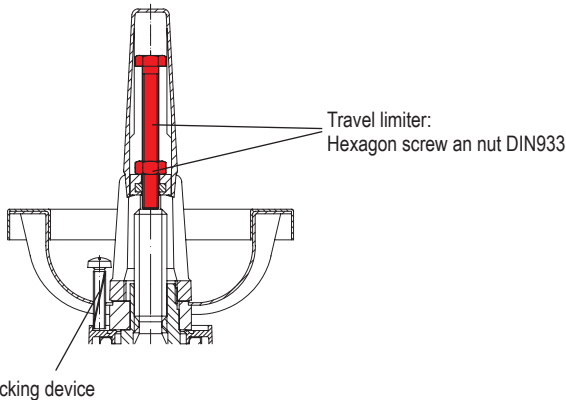
- Figure-No.
- Nominal pressure
- Nominal diameter
- Special design / accessories

**Please indicate in your order, if the valves are to be installed in hazardous areas (ATEX)**

**Example:**

Figure 12.070; FTF-14; nominal pressure PN16; nominal diameter DN 100; with travel limiter and adjusting device.

Dimensions in mm  
 Weights in kg  
 1 bar  $\hat{=}$  10<sup>5</sup> Pa  $\hat{=}$  0,1 MPa  
 Kvs in m<sup>3</sup>/h



Travel limiter and locking device

Nominal diameter	Travel limiter	Locking device
mm		
15 - 32	M8 x 50	AMTEC-bolt
40 - 65	M8 x 70	B 52004 M5 x 25
80	M10 x 80	Self cutting screw DIN 7516 M6 x 30
100	M10 x 100	
125	M10 x 110	
150	M10 x 130	
200	M10 x 170	