

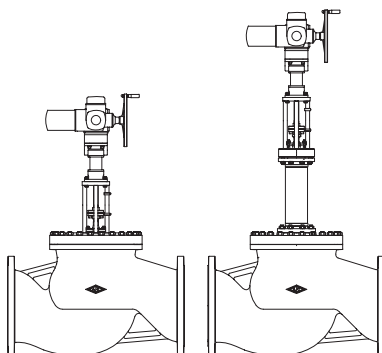
Stop valve straight through with V-port plug

DN 300 - 500

ARI-STEVI® 425 / 426

Electric actuator AUMA SAR with LE

- Electric multiturn actuator capable of high closing pressures
- Enclosure IP 67
- 2 torque switches
- 2 travel switches
- Handwheel
- Overheating protection for motor as standard
- Additional devices available, e.g. potentiometer
- Explosion proof version available
- Encased linear thrust unit

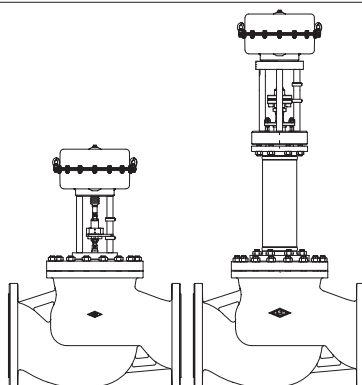


Page 2

ARI-STEVI® 425 / 426

Pneumatic actuator DP

- Reversible pneumatic actuator
- Actuator with rolling diaphragm
- Air supply pressure max. 6 bar
- Stem protection by bellow
- Maintenance-free O-ring sealing
- Assembly of additional devices acc. to DIN IEC 60534-6



Page 8

Features:

- Maintenance-free EPDM- and bellows seal
- Burnished stem
- Rangeability 30 : 1
- Three-ply bellows seal
- Travel indicator
- Reducible kvs-values

Stop valve straight through with electric actuator AUMA SAR (DN300-500)

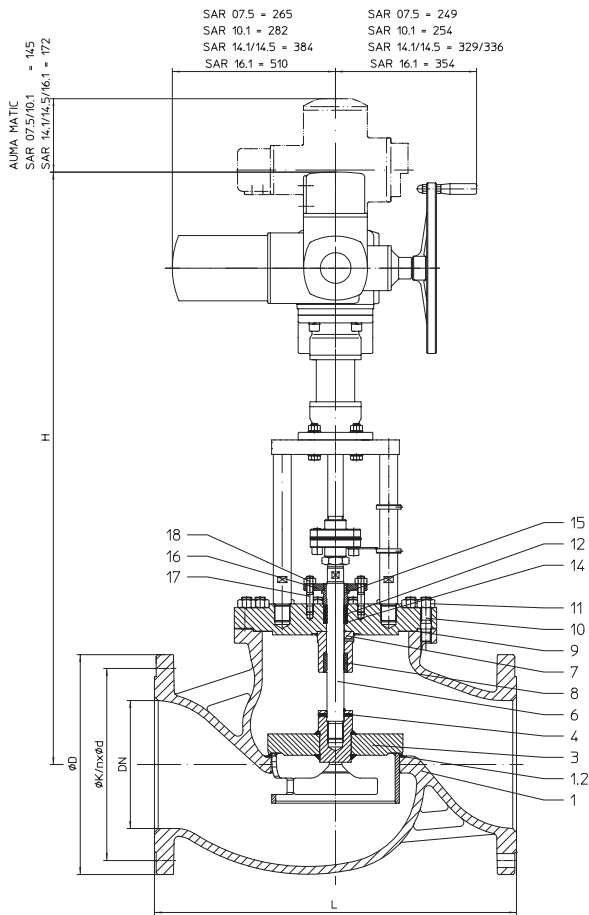


Fig. 425

Figure	Nominal pressure	Material	Nominal diameter
12.425	PN16	EN-JL1040	DN300
22.425	PN16	EN-JS1049	DN300
34.425	PN25	1.0619+N	DN300-500
35.425	PN40	1.0619+N	DN300-500

Other materials and versions on request.

Stem sealing

- Fig. 425:
- PTFE-packing -10°C to 250°C
 - Pure graphite-packing -10°C to 450°C
 - EPDM-stem sealing 0°C to 130°C

Plug design

- standard:
- V-port plug, metal seat
- optional:
- V-port plug with PTFE soft seal (max. 200°C) (on request)
 - Perforated plug, metal seat
 - V-port pressure balanced plug (or perforated plug), metal seat;
- Material of piston seal:
PTFE with stainless steel spring (max. 200°C)

Guiding

- V-port plug: Stem and port guiding

Flow characteristic:

- Equal percentage or linear

Rangeability

- 30 : 1

Shut off class (seat / plug leakage classes)

- Metal seat - Leakage class IV acc. to DIN EN 1349 or IEC 60534-4
- Soft seat - Leakage class VI acc. to DIN EN 1349 or IEC 60534-4

Closing pressures refer to page 6.

Technical data for actuator refer to data sheet.

Selection of possible applications

Industrial installations, processing technology, plant manufacturing, etc.
(other applications on request)

Selection of possible flow media

Cooling water, cooling brine, warm water, hot water, steam, gas, etc.
(other flow media on request)

Dimensions and weights

DN			300	350	400	500	
L			(mm)	850	980	1100	1350 (acc. to manufacturers standard)
	Fig. 425	H	(mm)	1189	1381	1418	1505
SAR 07.5 with LE 25.1		PN16	(kg)	498	672	--	--
		PN25-40	(kg)	518	752	1054	1556
H		(mm)	1261	1463	1500	1587	
SAR 10.1 with LE 50.1		PN16	(kg)	506	680	--	--
		PN25-40	(kg)	526	760	1062	1564
H		(mm)	1424	1516	1553	1640	
SAR 14.1 with LE 70.1		PN16	(kg)	563	736	--	--
		PN25-40	(kg)	583	816	1119	1621
H		(mm)	1424	1516	1553	1640	
SAR 14.5 with LE 100.1		PN16	(kg)	565	738	--	--
		PN25-40	(kg)	585	818	1121	1623
H		(mm)	1433	1625	1662	1749	
SAR 16.1 with LE 200.1		PN16	(kg)	617	790	--	--
		PN25-40	(kg)	637	870	1173	1675

Standard-flange dimensions refer to page 11. (For version with AUMA SAR Ex other heights.)

Face-to-face dimension FTF series 1 according to DIN EN 558-1

Parts

Pos.	Description	Fig. 12.425	Fig. 22.425	Fig. 34.425 Fig. 35.425
1	Body	EN-GJL-250, EN-JL1040	EN-GJS-400-18U-LT, EN-JS1049	GP240GH+N, 1.0619+N
1.2	Seat	X20Cr13+QT, 1.4021+QT		G19 9 Nb Si, 1.4551
3	Plug *	P265GH, 1.0425 + S235JR, 1.0037 / G19 9 Nb Si, 1.4551		
4	Straight pin *	X10CrNi18-8, 1.4310		
6	Stem *	X20Cr13+QT, 1.4021+QT		
7	Stuffing box housing	P265GH, 1.0425 + S235JR, 1.0037		
8	Guide bushing	X20Cr13+QT, 1.4021+QT		
9	Gasket *	Pure graphite (CrNi laminated with graphite)		
10	Studs	25CrMo4, 1.7218		
11	Hexagon nuts	C35E, 1.1181		
12	Packing ring *	PTFE or Pure graphite		
14	Washer *	X5CrNi18-10, 1.4301		
15	Packing follower *	X20Cr13+QT, 1.4021+QT		
16	Packing box flange	X20Cr13+QT, 1.4021+QT		
17	Studs	25CrMo4, 1.7218		
18	Hexagon nuts	C35E, 1.1181		

* Spare parts

Information / restriction of technical rules need to be observed!

ARI-Valves of EN-JL1040 are not allowed to be operated in systems acc. to TRD 110.

A production allowance acc. to TRB 801 No. 45 exists (acc. to TRB 801 No. 45 EN-JL1040 is not allowed.)

The engineer, designing a system or a plant, is responsible for the selection of the correct valve.

Stop valve straight through with electric actuator AUMA SAR (DN300-500)

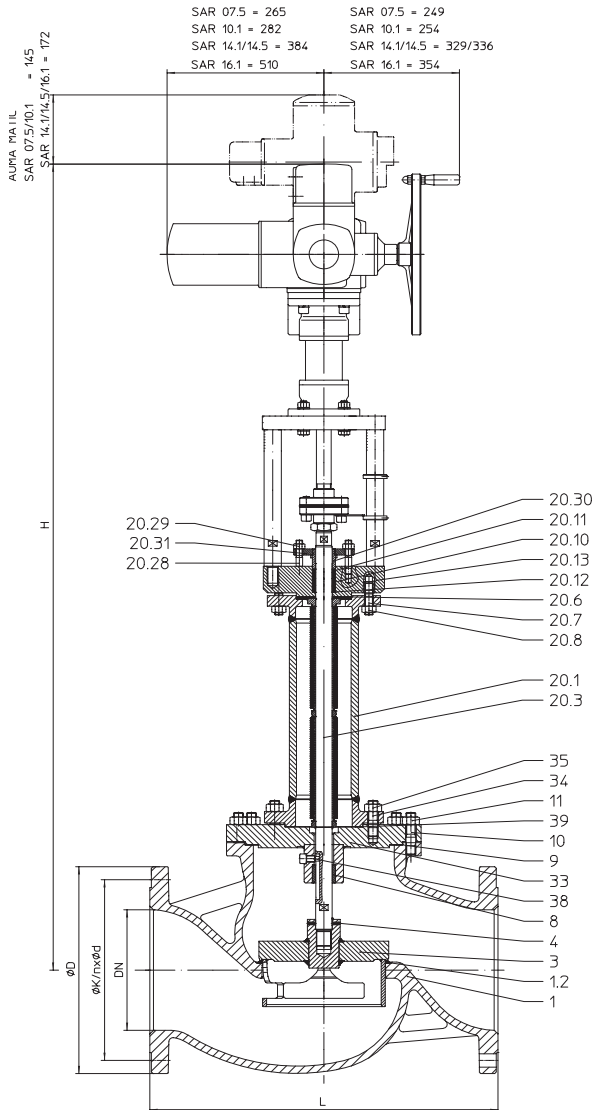


Figure	Nominal pressure	Material	Nominal diameter
12.426	PN16	EN-JL1040	DN300
22.426	PN16	EN-JS1049	DN300
34.426	PN25	1.0619+N	DN300-500
35.426	PN40	1.0619+N	DN300-500

Other materials and versions on request.

Stem sealing

Fig. 426: • Stainless steel bellows seal with safety stuffing box -60°C to 450°C

Plug design

standard: • V-port plug, metal seat

optional:

- V-port plug with PTFE soft seal (max. 200°C) (on request)
 - Perforated plug, metal seat
 - V-port pressure balanced plug (or perforated plug), metal seat;
- Material of piston seal:
PTFE with stainless steel spring (max. 200°C)

Guiding

- V-port plug: Stem and port guiding

Flow characteristic:

- Equal percentage or linear

Rangeability

- 30 : 1

Shut off class (seat / plug leakage classes)

- Metal seat - Leakage class IV acc. to DIN EN 1349 or IEC 60534-4
- Soft seat Leakage - class VI acc. to DIN EN 1349 or IEC 60534-4

Closing pressures refer to page 6.

Technical data for actuator refer to data sheet.

Selection of possible applications

Industrial installations, processing technology, plant manufacturing, etc.
(other applications on request)

Selection of possible flow media

Refrigerant, cooling water, warm water, hot water, thermal oil, steam, gas, etc.
(other flow media on request)

Fig. 426

Dimensions and weights

DN			300	350	400	500	
L			(mm)	850	980	1100	1350 (acc. to manufacturers standard)
	H		(mm)	1817	2010	2029	2127
Fig. 426	SAR 07.5 with LE 25.1	PN16	(kg)	575	751	--	--
		PN25-40	(kg)	595	831	1069	1548
	H		(mm)	1889	2092	2111	2209
	SAR 10.1 with LE 50.1	PN16	(kg)	583	759	--	--
		PN25-40	(kg)	603	839	1077	1584
	H		(mm)	2052	2145	2164	2262
	SAR 14.1 with LE 70.1	PN16	(kg)	640	816	--	--
		PN25-40	(kg)	660	896	1134	1641
	H		(mm)	2052	2145	2164	2262
	SAR 14.5 with LE 100.1	PN16	(kg)	642	818	--	--
		PN25-40	(kg)	662	898	1136	1643
	H		(mm)	2061	2254	2273	2371
	SAR 16.1 with LE 200.1	PN16	(kg)	694	870	--	--
		PN25-40	(kg)	714	950	1188	1695

Standard-flange dimensions refer to page 11.

(For version with AUMA SAR Ex other heights.)

Face-to-face dimension FTF series 1 according to DIN EN 558-1

Parts

Pos.	Description	Fig. 12.426	Fig. 22.426	Fig. 34.426 Fig. 35.426
1	Body	EN-GJL-250, EN-JL1040	EN-GJS-400-18U-LT, EN-JS1049	GP240GH+N, 1.0619+N
1.2	Seat	X20Cr13+QT, 1.4021+QT		G19 9 Nb Si, 1.4551
3	Plug *	P265GH, 1.0425 + S235JR, 1.0037 / G19 9 Nb Si, 1.4551		
4	Straight pin *	X12CrNi17-7, 1.4310		
8	Guide bushing	X20Cr13+QT, 1.4021+QT		
9	Gasket *	Pure graphite (CrNi laminated with graphite)		
10	Studs	25CrMo4, 1.7218		
11	Hexagon nuts	C35E, 1.1181		
20.1	Bellows housing	P265GH, 1.0425 / P235GH-TC1, 1.0345		
20.3	Stem- / Bellows unit *	X20Cr13+QT, 1.4021+QT / X6CrNiTi18-10, 1.4541		
20.6	Gasket *	Pure graphite (CrNi laminated with graphite)		
20.7	Studs	25CrMo4, 1.7218		
20.8	Hexagon nuts	C35E, 1.1181		
20.10	Packing ring *	PTFE or Pure graphite		
20.11	Packing ring *	PTFE or Pure graphite		
20.12	Washer *	X5CrNi18-10, 1.4301		
20.13	Stuffing box housing	P250 GH, 1.0460		
20.28	Studs	A4-70		
20.29	Hexagon nuts	A4		
20.30	Packing follower *	X20Cr13+QT, 1.4021+QT		
20.31	Packing box flange	X20Cr13+QT, 1.4021+QT		
33	Flange	P265GH, 1.0425		
34	Studs	25CrMo4, 1.7218		
35	Hexagon nuts	C35E, 1.1181		
38	Hexagon socket head screw	A2-70		
39	Gasket *	Pure graphite (CrNi laminated with graphite)		

* Spare parts

Information / restriction of technical rules need to be observed!

ARI-Valves of EN-JL1040 are not allowed to be operated in systems acc. to TRD 110.

A production allowance acc. to TRB 801 No. 45 exists (acc. to TRB 801 No. 45 EN-JL1040 is not allowed.)

The engineer, designing a system or a plant, is responsible for the selection of the correct valve.

max. permissible closing pressures on flow-to-open P2 = 0
(Observe regulations, refer to page 11. Plug design acc. to „Selection STEVI“, refer to techn. annex.)

DN		300			350			400			500		
Standard Kvs-values ³⁾	Seat-Ø (mm)			301			351			380			480
	Kvs-value			1500			1800			2500			4000
	Travel (mm)			90			120			120			120
Reduced Kvs-values ³⁾	Seat-Ø (mm)	200	250		250	301		301	351		351	380	
	Kvs-value	630	1000		1000	1500		1500	1800		1800	2500	
	Travel (mm)	65	65		65	90		90	120		120	120	
Actuator ¹⁾ AUMA SAR 07.5 with LE 25.1	Closing pressure (bar) I./II./III.	6,4	4	2,2	4	2,2	1,5	2,2	1,5		1,5		
	Differential pressure (bar)	3,3	2,1	1,4	2,1	1,4	1	1,4	1		1		
	Torque (Nm)	60			60			60			60		
	Operating time ²⁾ (s)	71		68	71	68	65	68	65		65		
	Output drive (rpm)	11		16	11	16	22	16	22		22		
Actuator ¹⁾ AUMA SAR 10.1 with LE 50.1	Closing pressure (bar) I./II./III.	11	7	4,1	7	4,1	3	4,1	3	2,5	3	2,5	1,5
	Differential pressure (bar)	5,6	3,6	2,4	3,6	2,4	1,8	2,4	1,8	1,5	1,8	1,5	1
	Torque (Nm)	120			120			120			120		
	Operating time ²⁾ (s)	59		56	59	56	55	56	55		55		
	Output drive (rpm)	1		16	11	16	22	16	22		22		
Actuator ¹⁾ AUMA SAR 14.1 with LE 70.1	Closing pressure (bar) I./II./III.	19,3	12,3	7,7	12,3	7,7	5,6	7,7	5,6	4,8	5,6	4,8	2,9
	Differential pressure (bar)	9,3	6	4	6	4	3	4	3	2,5	3	2,5	1,6
	Torque (Nm)	250			250			250			250		
	Operating time ²⁾ (s)	70			70		64	70	64		64		
	Output drive (rpm)	8		11	8	11	16	11	16		16		
Actuator ¹⁾ AUMA SAR 14.5 with LE 100.1	Closing pressure (bar) I./II./III.	39,3	25,2	16,3	25,2	16,3	12	16,3	12	10,2	12	10,2	6,3
	Differential pressure (bar)	15,8	10,1	6,7	10,1	6,7	5	6,7	5	4,3	5	4,3	2,7
	Torque (Nm)	500			500			500			500		
	Operating time ²⁾ (s)	70			70		64	70	64		64		
	Output drive (rpm)	8		11	8	11	16	11	16		16		
Actuator ¹⁾ AUMA SAR 16.1 with LE 200.1	Closing pressure (bar) I./II./III.	40	40	28,2	40	28,2	20,8	28,2	20,8	17,8	20,8	17,8	11,1
	Differential pressure (bar)	27	17,3	11,5	17,3	11,5	8,5	11,5	8,5	7,3	8,5	7,3	4,6
	Torque (Nm)	1000			1000			1000			1000		
	Operating time ²⁾ (s)	61			61		56	61	56		56		
	Output drive (rpm)	8		11	8	11	16	11	16		16		
I. Fig. 425: EPDM-stem sealing;				II. Fig. 425: PTFE-/ Pure graphite-packing;				III. Fig. 426: Bellows seal					

¹⁾ Motor voltage: 400V 50Hz 3~
(Other voltages on request)
Technical data for actuator refer to price list.

²⁾ Indicated operating times with 50Hz.

³⁾ Not for perforated plug (presentation ref. to page 12). Kvs-values acc. to Selection STEVI, refer to techn. annex.

Stop valve straight through with pneumatic Actuator DP (DN300-350)

Figure	Nominal pressure	Material	Nominal diameter
12.425 / 12.426	PN16	EN-JL1040	DN300
22.425 / 22.426	PN16	EN-JS1049	DN300
34.425 / 34.426	PN25	1.0619+N	DN300-350
35.425 / 35.426	PN40	1.0619+N	DN300-350

Other materials and versions on request.

Stem sealing

- Fig. 425:
- PTFE-packing -10°C to 250°C
 - Pure graphite-packing -10°C to 450°C
 - EPDM-stem sealing 0°C to 130°C

- Fig. 426:
- Stainless steel bellows seal with safety stuffing box -60°C to +450°C

Plug design

- standard:
- V-port plug, metal seat
- optional:
- V-port plug with PTFE soft seal (max. 200°C) (on request)
 - Perforated plug, metal seat
 - V-port pressure balanced plug (or perforated plug), metal seat;
Material of piston seal:
PTFE with stainless steel spring (max. 200°C)

Guiding

- V-port plug: Stem and port guiding

Flow characteristic:

- Equal percentage or linear

Rangeability

- 30 : 1

Shut off class (seat / plug leakage classes)

- Metal seat - Leakage class IV acc. to DIN EN 1349 or IEC 60534-4
- Soft seat - Leakage class VI acc. to DIN EN 1349 or IEC 60534-4

Closing pressures refer to page 10.

Technical data for actuator refer to data sheet.

Selection of possible applications

 Industrial installations, processing technology, plant manufacturing, etc.
 (other applications on request)

Selection of possible flow media

Fig. 425: Cooling water, cooling brine, warm water, hot water, steam, gas, etc.

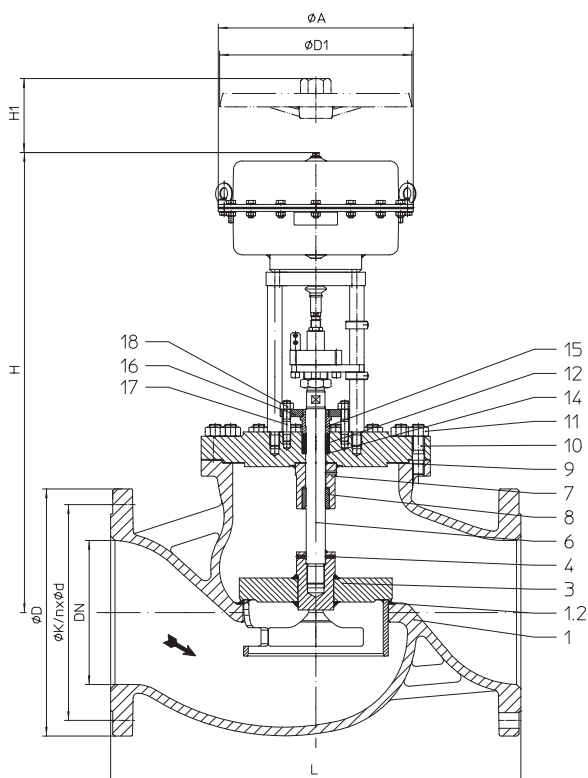
 Fig. 426: Refrigerant, cooling water, warm water, hot water, thermal oil, steam, gas, etc.
 (other flow media on request)


Fig. 425

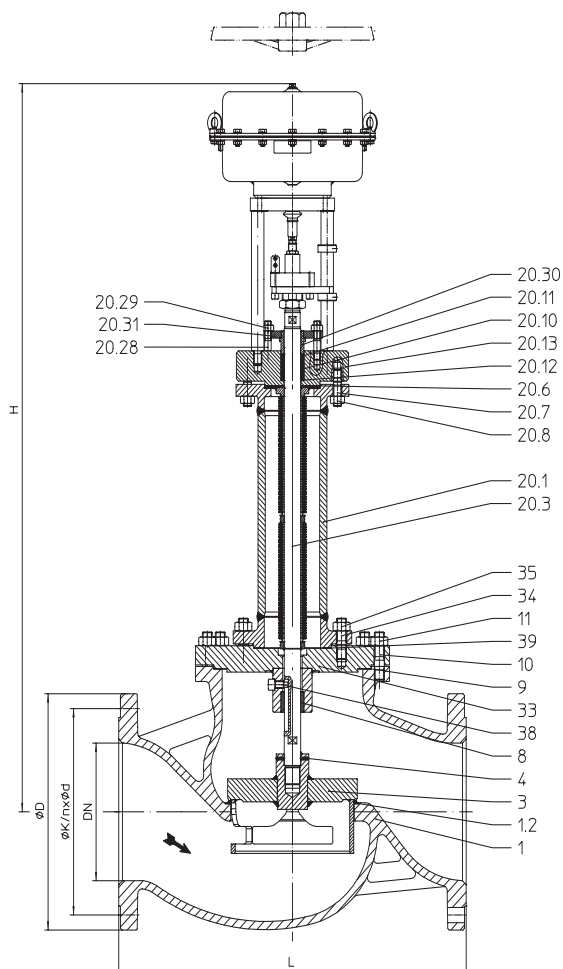
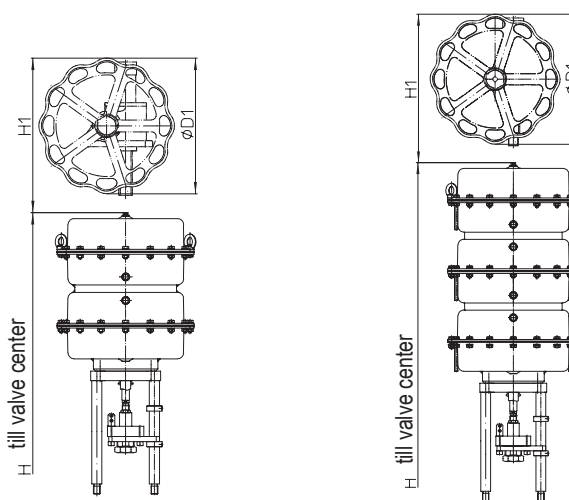


Fig. 426



DP34T

DP34Tri

Top mounted handwheel

Actuator		DP34	DP34T	DP34Tri
Ø D1	(mm)		400	
H1	(mm)	470	630	630
Weight	(kg)	17	41	41

Technical data for actuator refer to data sheet DP32-34Tri.

Dimensions and weights

DN			300	350	300	350	300	350
Actuator			DP 34		DP 34 T		DP 34 Tri	
L	(mm)		850	980	850	980	850	980
Ø A	(mm)		405					
Fig. 425	H	(mm)	961	1018	1214	1271	1436	1493
	PN16	(kg)	507	681	578	752	612	786
	PN25-40	(kg)	527	761	598	832	632	866
Fig. 426	H	(mm)	1589	1647	1842	1900	2064	2122
	PN16	(kg)	585	760	656	831	690	865
	PN25-40	(kg)	605	840	676	911	710	945

Standard-flange dimensions refer to page 11.

Face-to-face dimension FTF series 1 according to DIN EN 558-1

Parts

Pos.	Description	Fig. 12.425 / 12.426	Fig. 22.425 / 22.426	Fig. 34.425 / 34.426 Fig. 35.425 / 35.426
1	Body	EN-GJL-250, EN-JL1040	EN-GJS-400-18U-LT, EN-JS1049	GP240GH+N, 1.0619+N
1.2	Seat	X20Cr13+QT, 1.4021+QT		G19 9 Nb Si, 1.4551
3	Plug *	P265GH, 1.0425 + S235JR, 1.0037 / G19 9 Nb Si, 1.4551		
4	Straight pin *	X12CrNi17-7, 1.4310		
6	Stem *	X20Cr13+QT, 1.4021+QT		
7	Stuffing box housing	P265GH, 1.0425 + S235JR, 1.0037		
8	Guide bushing	X20Cr13+QT, 1.4021+QT		
9	Gasket *	Pure graphite (CrNi laminated with graphite)		
10	Studs	25CrMo4, 1.7218		
11	Hexagon nuts	C35E, 1.1181		
12	Packing ring *	PTFE or Pure graphite		
14	Washer *	X5CrNi18-10, 1.4301		
15	Packing follower *	X20Cr13+QT, 1.4021+QT		
16	Packing box flange	X20Cr13+QT, 1.4021+QT		
17	Studs	25CrMo4, 1.7218		
18	Hexagon nuts	C35E, 1.1181		
20.1	Bellows housing	P265GH, 1.0425 / P235GH-TC1, 1.0345		
20.3	Stem- / Bellows unit *	X20Cr13+QT, 1.4021+QT / X6CrNiTi18-10, 1.4541		
20.6	Gasket *	Pure graphite (CrNi laminated with graphite)		
20.7	Studs	25CrMo4, 1.7218		
20.8	Hexagon nuts	C35E, 1.1181		
20.10	Packing ring *	PTFE or Pure graphite		
20.11	Packing ring *	PTFE or Pure graphite		
20.12	Washer *	X5CrNi18-10, 1.4301		
20.13	Stuffing box housing	P250 GH, 1.0460		
20.28	Studs	A4-70		
20.29	Hexagon nuts	A4		
20.30	Packing follower *	X20Cr13+QT, 1.4021+QT		
20.31	Packing box flange	X20Cr13+QT, 1.4021+QT		
33	Flange	P265GH, 1.0425		
34	Studs	25CrMo4, 1.7218		
35	Hexagon nuts	C35E, 1.1181		
38	Hexagon socket head screw	A2-70		
39	Gasket *	Pure graphite (CrNi laminated with graphite)		

* Spare parts

Information / restriction of technical rules need to be observed!

ARI-Valves of EN-JL1040 are not allowed to be operated in systems acc. to TRD 110.

A production allowance acc. to TRB 801 No. 45 exists (acc. to TRB 801 No. 45 EN-JL1040 is not allowed.)

The engineer, designing a system or a plant, is responsible for the selection of the correct valve.

max. permissible closing pressures on flow-to-open P2 = 0
 (Observe regulations, refer to page 11. Plug design acc. to „Selection STEVI“, refer to techn. annex.)

DN		300			350			
Reduced Kvs-values ³⁾	Seat-Ø (mm)	200	250	250				
	Kvs-value	630	1000	1000				
	Travel (mm)	65	65	65				
Spring closes								
Actuator DP 34	Spring range (bar)	1,0 - 2,0	Air supply pressure min. (bar)	2,3	I./II./III.	1,7	1,0	1,0
		2,0 - 4,0		4,5	I./II./III.	4,1	2,6	2,6
Actuator DP 34 T		0,4 - 1,2		1,4	I./II./III.	1,2		
		1,0 - 2,0		2,3	I./II./III.	4,1	2,6	2,6
Actuator DP 34 Tri		2,0 - 4,0		4,5	I./II./III.	9	5,7	5,7
		0,4 - 1,2		1,4	I./II./III.	2,1 f)	1,3 f)	1,3 f)
	1,0 - 2,0	2,3	I./II./III.	6,6 f)	4,1 f)	4,1 f)		
	2,0 - 4,0	4,5	I./II./III.	14 b)	8,9 b)	8,9 b)		
I. Fig. 425: EPDM-stem sealing;		II. Fig. 425: PTFE-/ Pure graphite-packing;			III. Fig. 426: Bellows seal			

Spring opens on air failure						
Actuator DP 34	Air supply pressure min. (bar)	2	I./II./III.	1,7	1	1
		3	I./II./III.	4,1	2,6	2,6
		4	I./II./III.	6,6	4,1	4,1
		5	I./II./III.	9	5,7	5,7
		6	I./II./III.	11,5	7,3	7,3
Actuator DP 34 T		1,4	I./II./III.	1,2		
		2	I./II./III.	4,1	2,6	2,6
		3	I./II./III.	9	5,7	5,7
		4	I./II./III.	14	8,9	8,9
		5	I./II./III.	18,9	12	12
		6	I./II./III.	23,8	15,2	15,2
I. Fig. 425: EPDM-stem sealing;		II. Fig. 425: PTFE-/ Pure graphite-packing;			III. Fig. 426: Bellows seal	
Air supply pressure max. of pneumatic actuators DP:		max. permissible	6 bar			
Air supply pressure max. limit of control valve:		max. permissible	a) 5 bar	b) 4,3 bar	c) 4 bar	d) 3,5 bar e) 3 bar f) 2,5 bar

³⁾ Not for perforated plug (presentation ref. to page 12). Kvs-values acc. to Selection STEVI, refer to techn. annex.

Standard-flange dimensions

Flanges acc. to DIN EN 1092-1/-2 (Flangeholes / -thickness tolerances acc. to DIN 2533/2544/2545)

DN			300	350	400	500
PN16	ØD	(mm)	460	520	580	715
	ØK	(mm)	410	470	525	650
	n x Ød	(mm)	12 x 26	16 x 26	16 x 30	20 x 33
PN25	ØD	(mm)	485	555	620	730
	ØK	(mm)	430	490	550	660
	n x Ød	(mm)	16 x 30	16 x 33	16 x 36	20 x 36
PN40	ØD	(mm)	515	580	660	755
	ØK	(mm)	450	510	585	670
	n x Ød	(mm)	16 x 33	16 x 36	16 x 39	20 x 42

Pressure-temperature-ratings acc. to DIN EN 1092-2

Material			-60°C to <-10°C *	-10°C to 120°C	150°C	200°C	250°C	300°C	350°C	400°C	450°C
EN-JL1040	PN16	(bar)	--	16	14,4	12,8	11,2	9,6	--	--	--
EN-JS1049	PN16	(bar)	on request	16	15,5	14,7	13,9	12,8	11,2	--	--

Pressure-temperature-ratings acc. to DIN EN 1092-1

Material			-60°C to <-10°C *	-10°C to 50°C	100°C	150°C	200°C	250°C	300°C	350°C	400°C	450°C
1.0619+N	PN25	(bar)	18,7	25	23,3	21,7	19,4	17,8	16,1	15	14,4	13,9
1.0619+N	PN40	(bar)	30	40	37,3	34,7	30,2	28,4	25,8	24	23,1	22,2

Intermediate values for max. permissible operational pressures can be determined by linear interpolation of the given temperature / pressure chart.

* Valve with extended bonnet, studs and nuts made of A4-70 (at temperatures below -10°C)

Please indicate when ordering

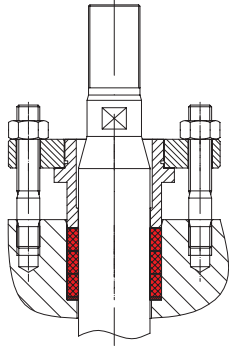
- Figure-No.
- Nominal diameter
- Nominal pressure
- Body material
- Plug design
- Kvs-value
- Flow characteristic
- Stem sealing
- Actuator
- Special design / accessories

Example:

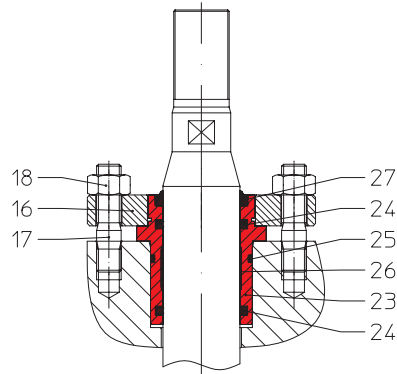
Figure 35.425; nominal diameter DN300; nominal pressure PN40; body material 1.0619+N; V-port plug; Kvs 1000; equal percentage; PTFE-packing; DP 34, spring closes on air failure, spring range 2.0 - 4.0 bar..

 Dimensions in mm
 Weights in kg
 Pressures in barg (gauge)
 1 bar $\hat{=}$ 10⁵ Pa $\hat{=}$ 0,1 MPa
 Kvs in m³/h

Stem sealing



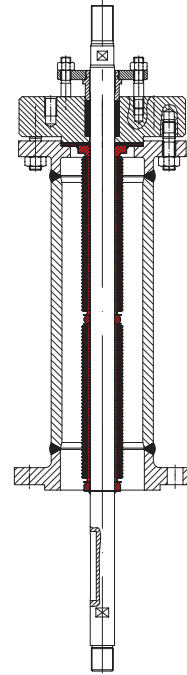
PTFE- / Pure graphite-packing



Pos.	Description	
16	Packing box flange	X20Cr13+QT, 1.4021+QT
17	Studs	25CrMo4, 1.7218
18	Hexagon nuts	C35E, 1.1181
23	Stem guiding *	X20Cr13+QT, 1.4021+QT
24	Sealing ring *	EPDM 70
25	O-ring	EPDM 70
26	Strip *	PTFE
27	Scraper *	NBR

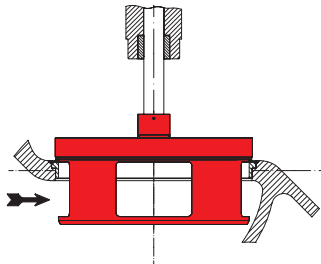
* Spare part

EPDM-stem sealing

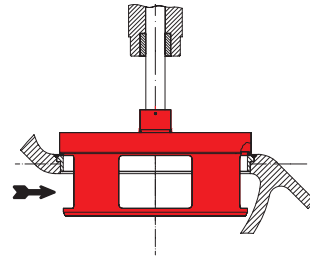


Bellows seal with safety stuffing box

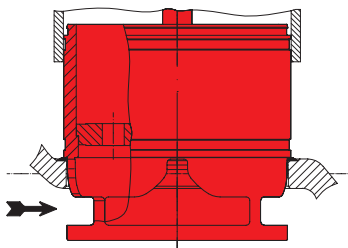
Plug designs



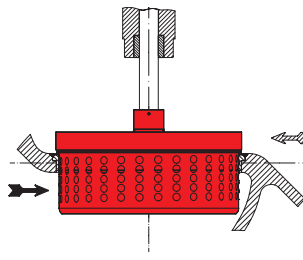
V-port plug with stem and port guiding (standard)



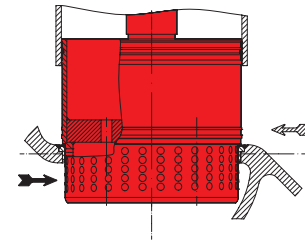
V-port plug with PTFE soft seal and stem and port guiding



V-port pressure balanced plug



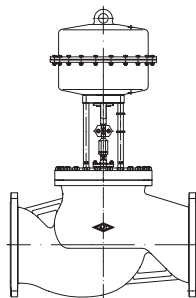
Perforated plug with Stem and port guiding



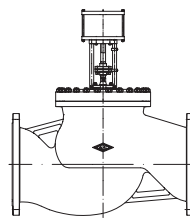
Perforated pressure balancing plug

➡ Flow direction for gas and steam to reduce the sound level
 ↗ Flow direction for liquids to reduce the cavitation

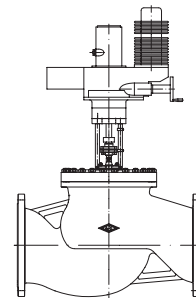
... also with other actuators: (on request)



with pneumatic actuators



with hydraulic actuators



with other electric actuators



Technology for the Future.
GERMAN QUALITY VALVES