

445

Ball valve of stainless steel with flanges DN 15 - 150

11.02.2008

Operation

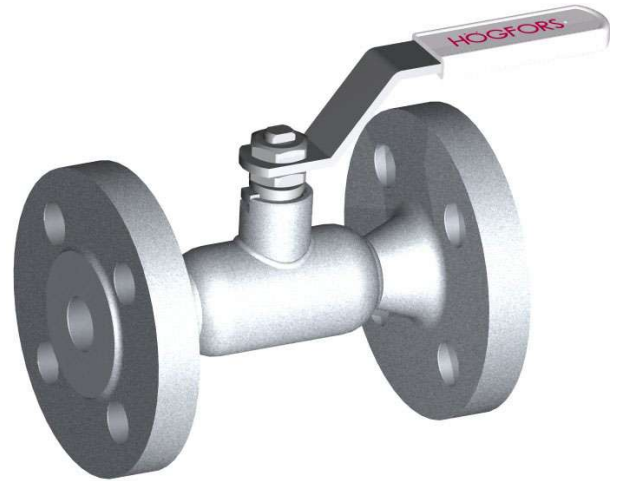
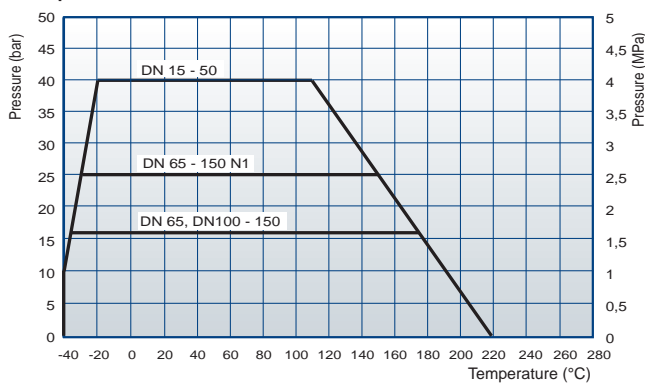
Ball valve 445 is a tightly closing on-off valve suitable for liquid and gas pipe systems. It is used for example in industrial pipe lines.

Nominal pressure PN 40, PN 25, PN 16
according to flange drilling

Tightness class ISO 5208, EN 12266-1 RATE A

Operating temperature max +220°C/ min -40°C

The max pressure difference depends on the working temperature



Construction

This welded ball valve with flanges and the body is made of stainless steel. Floating ball and blow-out proof stem are made of stainless steel. Ball sealing is of PTFE+C. Stem has tightable PTFE-rings.

Conform with the requirements of the Council Directive 97/23/EC on Pressure Equipment, marking:

Class: Gas, group 1



Nominal dimensions: DN 15 - 150

Product codes: 445TS_ _ _ with handlever
445TS_ _ _ Z with bare shaft
445TS_ _ _ M with manual gear
445TS_ _ _ N1 PN 25

Materials

Body: EN 10217-7 1.4404, DIN 17457 1.4404

Ball: EN 10217-7 1.4404, DIN 17457 1.4404

Stem: EN 10272 1.4404

Seal: PTFE+C

Stem Seal: PTFE

445

Ball valve of stainless steel with flanges
DN 15 - 150

11.02.2008

Dimensions

DN	PN	N1	Kv ₁₀₀	d	D	N1	L	H	h	I	Weight kg
15	40		8	10	95		130	73	30	110	2,0
20	40		13	15	105		150	73	30	110	2,7
25	40		25	20	115		160	95	36	140	3,3
32	40		41	24	140		180	98	36	140	4,7
40	40		65	31	150		200	122	47	180	6,0
50	40		100	39	165		230	128	47	180	7,9
65	16	25	180	50	185	185	270	150	50	250	10,4
80		25	270	65		200	280	162	50	250	15,6
100	16	25	420	80	220	235	300	183	55	320	19,0
125	16	25	650	100	250	270	325	198	55	320	27,0
150	16	25	950	125	285	300	350	240	56	600	42,0

