



ARMATURY A POTRUBNÍ DÍLY, s.r.o., Kapitána Jaroše 256, 595 01 Velká Bíteš, CZECH REPUBLIC - EUROPE
www.arpod.cz, email info@arpod.cz, tel.+00420 566 531 031, fax.+00420 566 531 034

K85 171 016 Ball valve wafer

WAFER BALL VALVE GN 16



CE

Size : DN 15 to 150 mm
Ends : Between flanges GN16
Min Temperature : -20°C
Max Temperature : + 180°C
Max Pressure : 16 Bars
Specifications : Iso 5211 mounting pad
PTFE filled with glass seat
Anti blow-out stem

Materials : Stainless steel



ARMATURY A POTRUBNÍ DÍLY, s.r.o., Kapitána Jaroše 256, 595 01 Velká Bíteš, CZECH REPUBLIC - EUROPE
www.arpod.cz, email info@arpod.cz, tel.+00420 566 531 031, fax.+00420 566 531 034

WAFER BALL VALVE GN 16

SPECIFICATIONS :

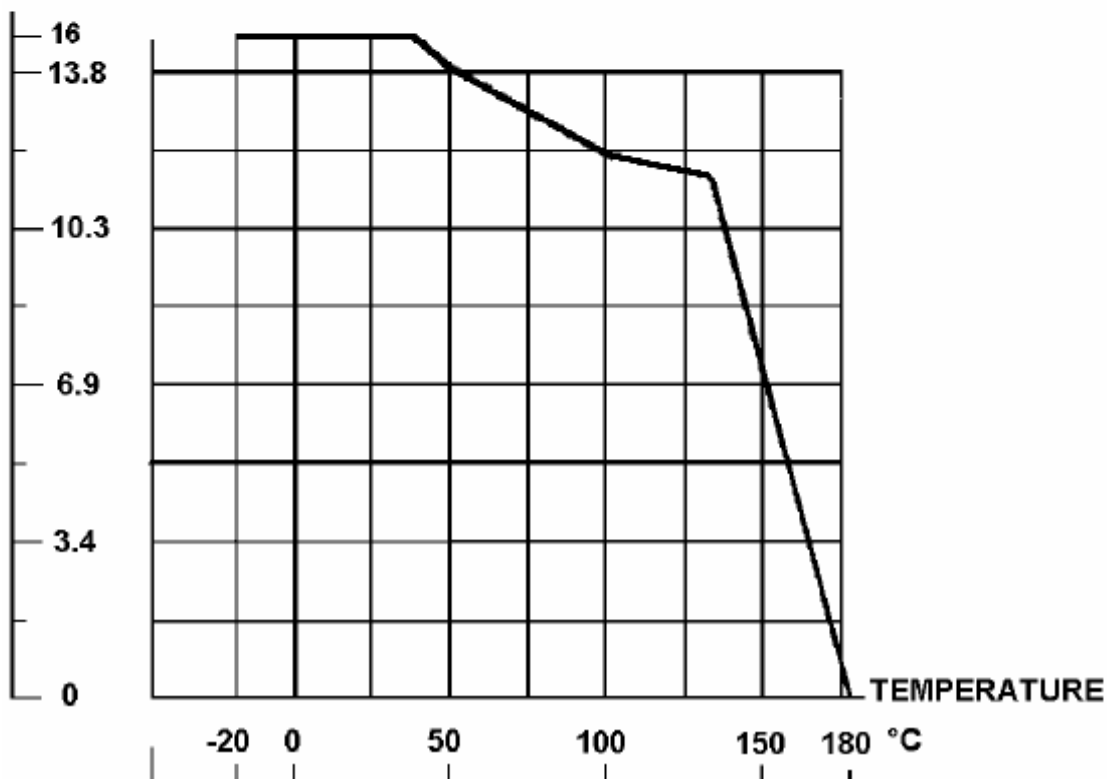
- Full bore
- Anti blow-out stem
- PTFE filled with glass stem
- ISO 5211 mounting pad
- Threaded holes flanges
- Hollow body
- Locking device from DN 25 to DN 100

USE :

- For all common fluids
- Min and max Temperature Ts : -20°C to + 180°C
- Max Pressure Ps : 16 bars (see graph)

PRESSURE / TEMPERATURE GRAPH (STEAM EXCLUDED) :

PRESSURE
BAR



WAFER BALL VALVE GN 16

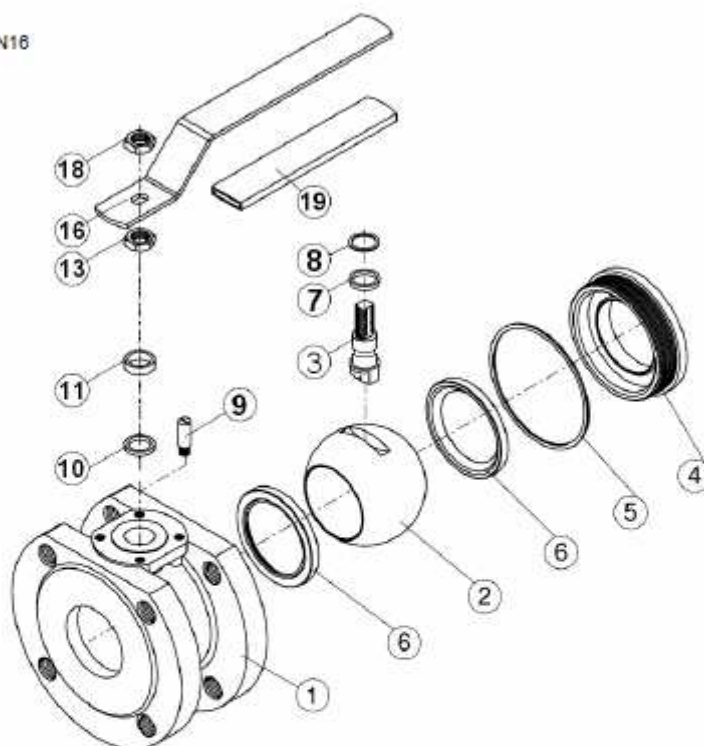
RANGE :

- Stainless steel body Ref. 771 from DN 15 to DN 150

ENDS :

- Between flanges GN16

MATERIALS DN 15 - 20 :



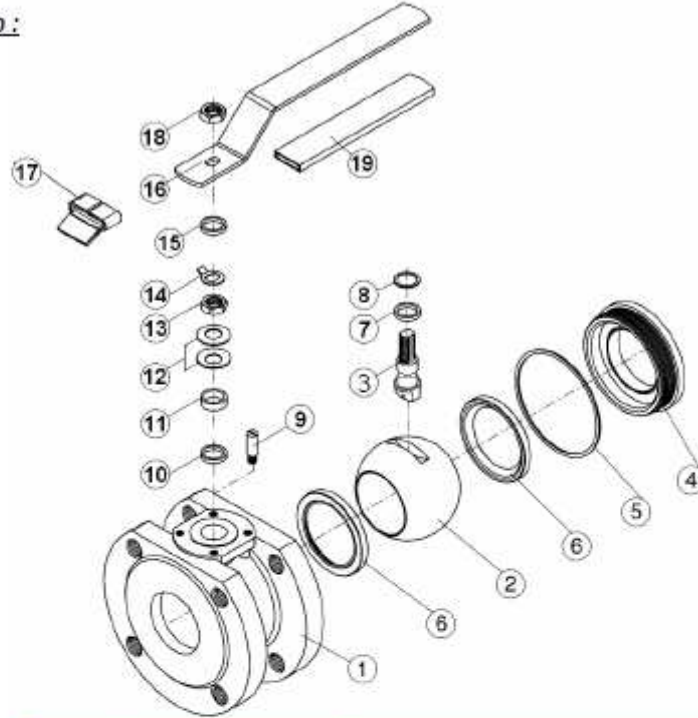
Item	Designation	Materials 771
1	Body	ASTM A351 CF8M
2	Ball	ASTM A351 CF8M
3	Stem	SS 304
4	Insert	ASTM A351 CF8M
5*	Body seal	PTFE
6*	Seat	PTFE filled with 15% glass
7*	Thrust washer	PTFE
8*	O ring	FKM
9	Stop pin	SS 304
10*	Packing	PTFE
11	Gland	SS 304
13	Gland nut	SS 304
16	Handle	SS 304
18	Handle nut	SS 304
19	Handle cover	Plastic

(* : Included in gaskets kit)



WAFER BALL VALVE GN 16

MATERIALS DN 25 - 50 :



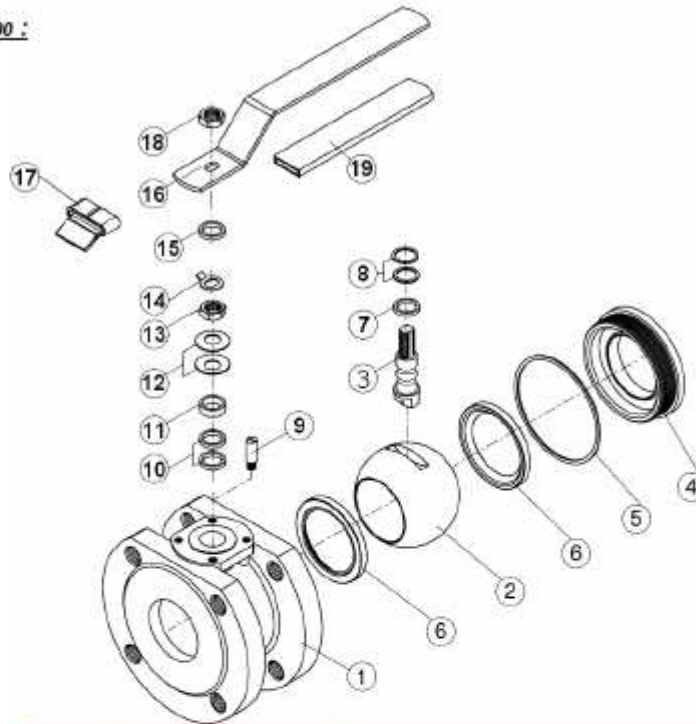
Item	Designation	Materials 771
1	Body	ASTM A351 CF8M
2	Ball	ASTM A351 CF8M
3	Stem	SS 304
4	Insert	ASTM A351 CF8M
5*	Body seal	PTFE
6*	Seat	PTFE filled with 15% glass
7*	Thrust washer	PTFE
8*	O ring	FKM
9	Stop pin	SS 304
10*	Packing	PTFE
11	Gland	SS 304
12	Elastic ring	SS 301
13	Gland nut	SS 304
14	Tab washer	SS 304
15	Washer	SS 304
16	Handle	SS 304
17	Locking device	SS 304
18	Handle nut	SS 304
19	Handle cover	Plastic

(* : Included in gaskets kit)



WAFER BALL VALVE GN 16

MATERIALS DN 65 - 100 :

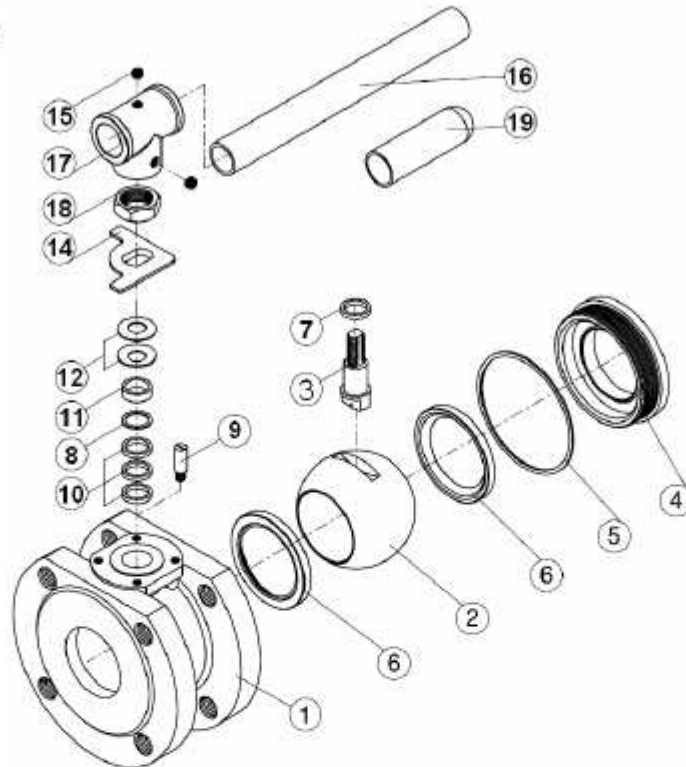


Item	Designation	Materials 771
1	Body	ASTM A351 CF8M
2	Ball	ASTM A351 CF8M
3	Stem	SS 304
4	Insert	ASTM A351 CF8M
5*	Body seal	PTFE
6*	Seat	PTFE filled with 15% glass
7*	Thrust washer	PTFE
8*	O ring	FKM
9	Stop pin	SS 304
10*	Packing	PTFE
11	Gland	SS 304
12	Elastic ring	SS 301
13	Packing	SS 304
14	Tab washer	SS 304
15	Washer	SS 304
16	Handle	SS 304
17	Locking device	SS 304
18	Handle nut	SS 304
19	Handle cover	Plastic

(* : Included in gaskets kit)

WAFER BALL VALVE GN 16

MATERIALS DN 125 - 150 :



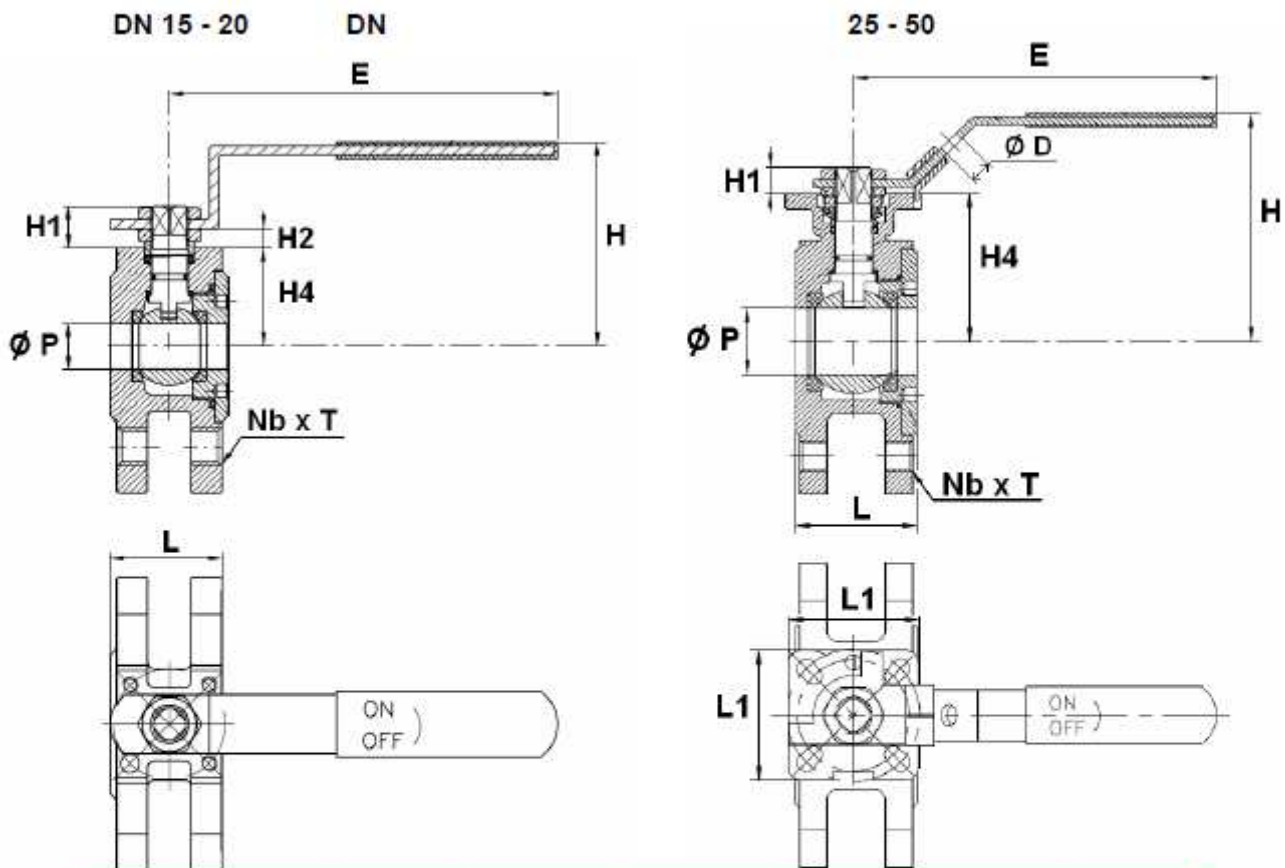
Item	Designation	Materials 771
1	Body	ASTM A351 CF8M
2	Ball	ASTM A351 CF8M
3	Stem	SS 316
4	Insert	ASTM A351 CF8M
5*	Body seal	PTFE
6*	Seat	PTFE filled with 15% glass
7*	Thrust washer	PTFE
8*	Packing	PTFE
9	Stop pin	SS 304
10*	Stem packing	PTFE
11	Gland	SS 304
12	Elastic ring	SS 301
14	Stop plate	SS 304
15	Handle screw	SS 304
16	Handle	Steel
17	Handle adapter	ASTM A351 CF8
18	Packing nut	SS 304
19	Handle cover	Plastic

(* : Included in gaskets kit)



WAFER BALL VALVE GN 16

SIZE (in mm) :

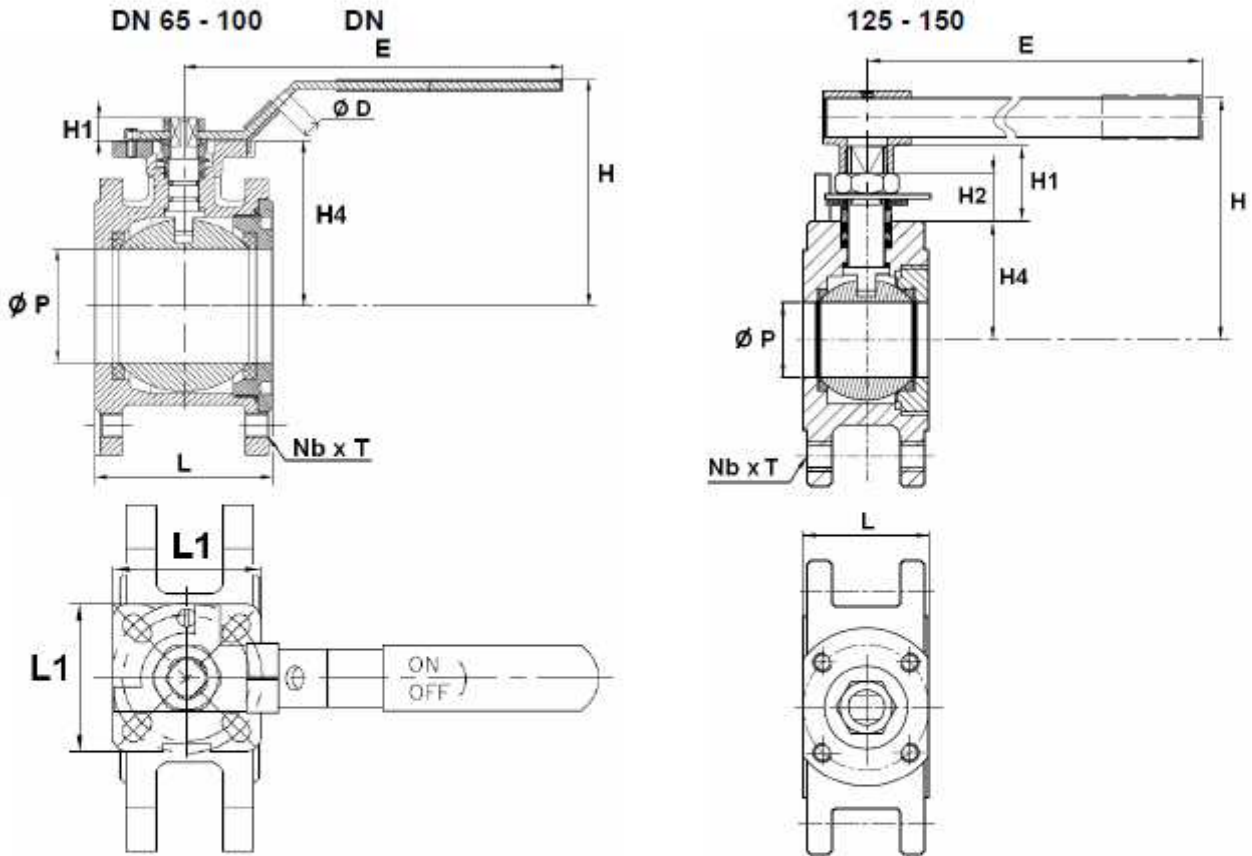


	DN	15	20	25	32	40	50
Ref. 771	Ø P	15	20	25	32	38	50
	L	35	39	44	52	64	83
	L1	-	-	49	49	65	65
	E	125.2	125.2	136.2	136.2	204.5	204.5
	H	75	80	95	101.5	122.5	121.5
	H1	13.5	13.5	12	10	13.5	14
	H2	6	6	-	-	-	-
	H4	32	35.5	65	71.5	85	83.5
	Ø D	-	-	8	8	8	8
	Nb x T	4 x M12	4 x M12	4 x M12	4 x M16	4 x M16	4 x M16
	Weight (Kg)	1.1	1.41	1.82	3	4.3	5.9



WAFER BALL VALVE GN 16

SIZE (in mm) :

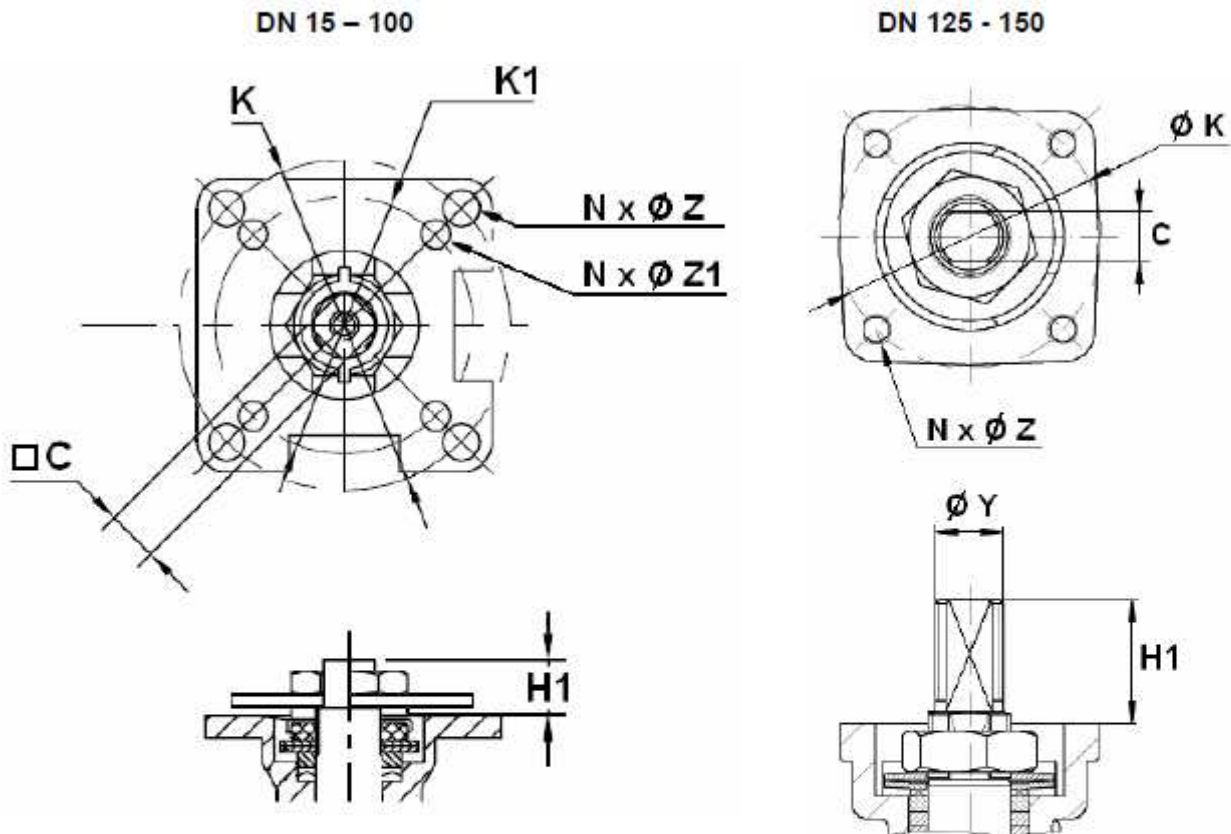


	DN	65	80	100	125	150
Ref. 771	Ø P	65	76	94	118	138
	L	100	118	152	179	202
	L1	94	94	94	-	-
	E	250	250	320	400	600
	H	142	161	174	205	220
	H1	18	18	20.5	50	50
	H2	-	-	-	31	31
	H4	101	120	130	117	130
	Ø D	10	10	10	-	-
	Nb x T	4 x M16	8 x M16	8 x M16	8 x M16	8 x M20
	Weight (Kg)	9	12.5	19.4	30	41



WAFER BALL VALVE GN 16

ISO MOUNTING PAD AND STEM SIZE (in mm):



DN	15	20	25	32	40	50	65	80	100	125	150
C	9	9	11	11	14	14	17	17	17	17	17
Ø Y	12	12	14	14	18	18	20	20	27	28	28
H1	13.5	13.5	12	10	13.5	14	18	18	20.5	50	50
Ø K	36	36	50	50	70	70	102	102	102	102	125
ISO	F03	F03	F05	F05	F07	F07	F10	F10	F10	F10	F12
N x Ø Z	4 x 5	4 x 5	4 x 7	4 x 7	4 x 9	4 x 9	4 x 11	4 x 11	4 x 11	4 x 10.5	4 x 13
Ø K1	36	36	42	42	50	50	70	70	70	-	-
ISO 1	F03	F03	F04	F04	F05	F05	F07	F07	F07	-	-
N x Ø Z1	4 x 5	4 x 5	4 x 6.4	4 x 6.4	4 x 7	4 x 7	4 x 9	4 x 9	4 x 9	-	-



ARMATURY A POTRUBNÍ DÍLY, s.r.o., Kapitána Jaroše 256, 595 01 Velká Bíteš, CZECH REPUBLIC - EUROPE
www.arpod.cz, email info@arpod.cz, tel.+00420 566 531 031, fax.+00420 566 531 034

WAFER BALL VALVE GN 16

TORQUE VALUES (in Nm without safety coefficient) :

DN	15	20	25	32	40	50	65	80	100	125	150
Torque (Nm)	7	9	13	19	27	40	60	85	150	190	250

STANDARDS :

- Fabrication according to ISO 9001 : 2008
 - DIRECTIVE 97/23/CE : CE N° 0035
Risk Category II
 - Construction according to EN 12516
 - Designing according to ASME B16.34
 - Tests according to API 598 , EN 12266-1
 - ISO 5211 mounting pad
-