



SPECIFICATIONS :

- . Full bore
- . Anti-blow out stem
- . ISO 5211 mounting pad
- . Locking device
- . Tightness on 3 ways
- . Flanged PN16

USE :

- . For all common fluids
- . Max. Temperature Ts : 150°C
- . Max. pressure Ps : 16 bars

PORT TYPE \	1	2	3	4
L				
T				

RANGE :

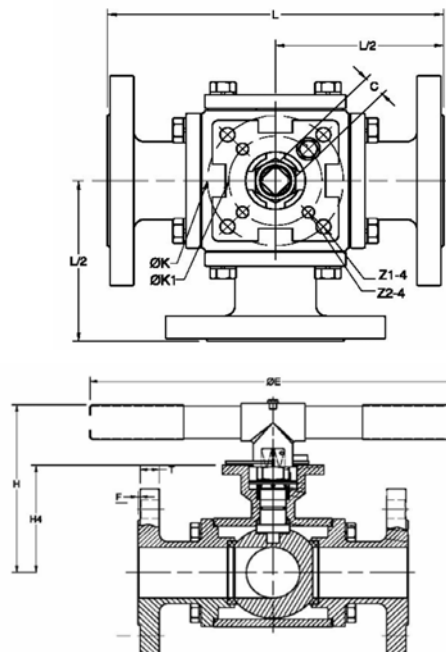
- . Flanged PN16 Ref. 783 carbon steel L port DN50 to DN150
- . Flanged PN16 Ref. 784 carbon steel T port DN50 to DN150
- . Flanged PN16 Ref. 785 stainless steel L port DN50 to DN150
- . Flanged PN16 Ref. 786 stainless steel T port DN50 to DN150

MATERIALS :

DESIGNATION	MATERIALS 783/784	MATERIALS 785/786
Body	A 216 WCB	A 351 CF8M
End	A 216 WCB	A 351 CF8M
Ball	Stainless steel 304	Stainless steel 316
Stem	Stainless steel 304	Stainless steel 316
Anti-static device	Stainless steel 316	Stainless steel 316
Seat	PTFE	PTFE
Packing	PTFE	PTFE
Gasket	PTFE	PTFE
Nut	Carbon steel	Stainless steel 304
Handle	Carbon steel	Stainless steel 304

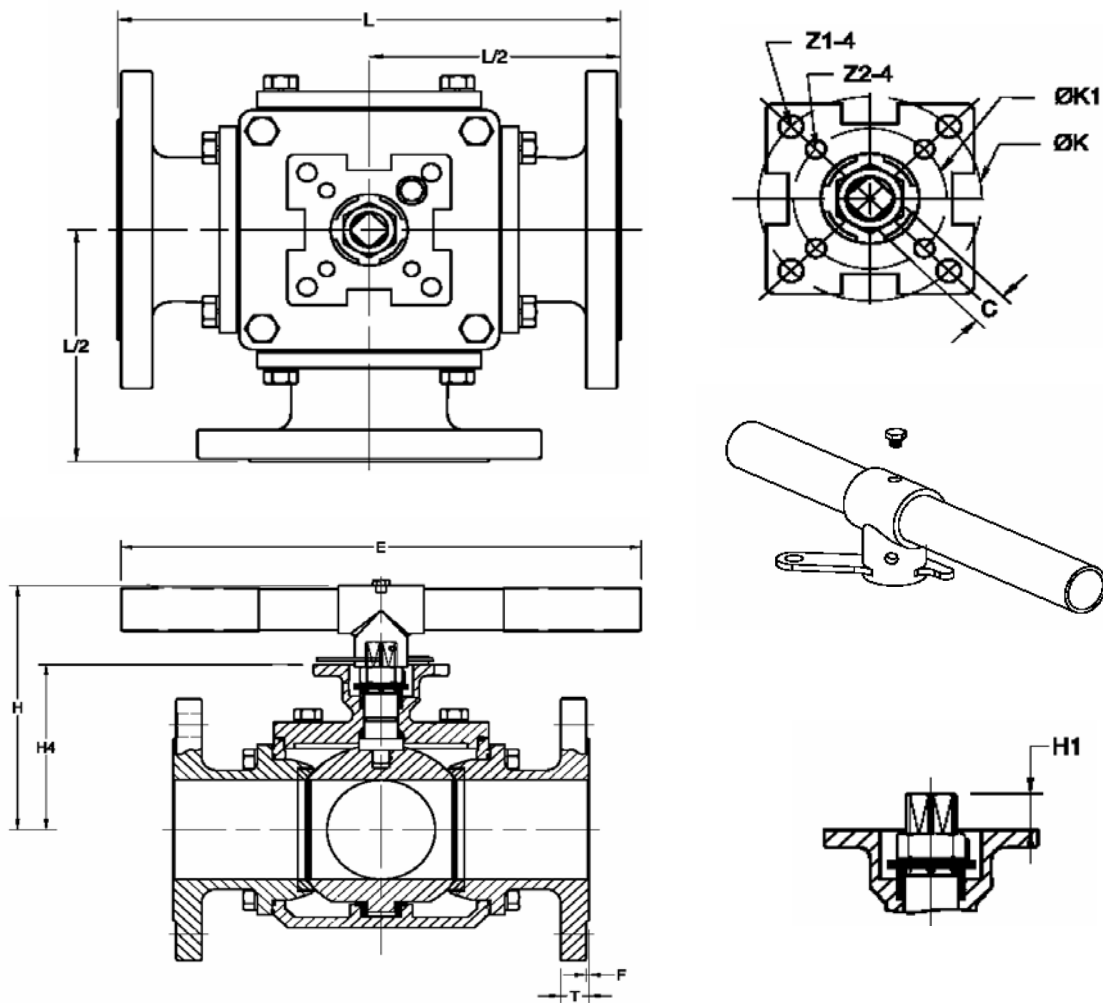
SIZE (DN50 to DN65) :

	DN	50	65
Ref.	L	253,00	278,00
783/784	H	156,60	168,85
785/786	H1	15,00	18,50
	H4	105,00	117,00
	C	17,00	17,00
	E	300,00	300,00
	T	20,00	18,00
	F	2,00	2,00
	K	102,00	102,00
	K1	70,00	70,00
	Z1	11,40	11,40
	Z2	9,20	9,20
Weig.		18,15	23,75



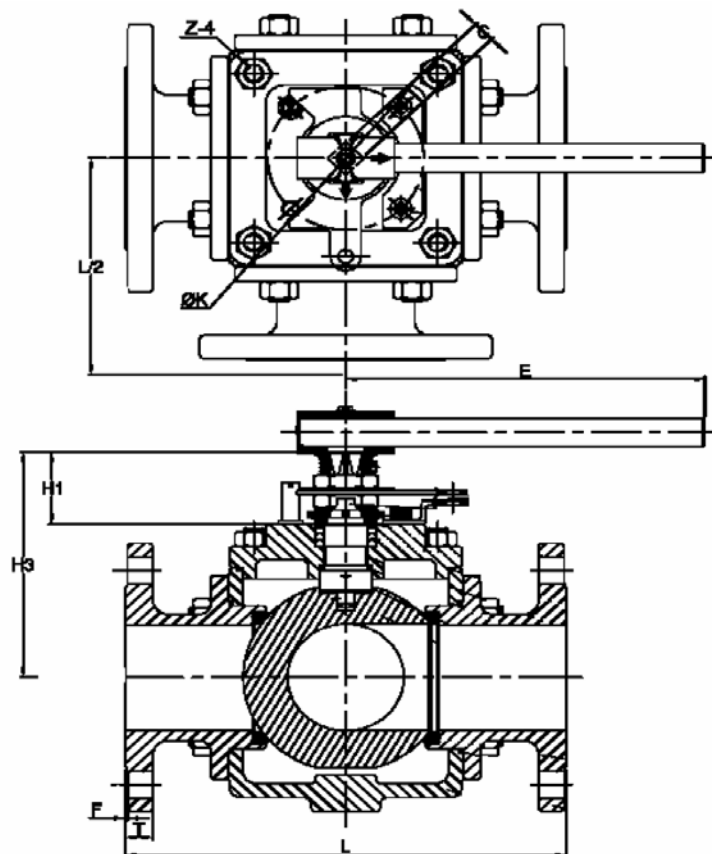
SIZE (DN80) :

	DN	80
Ref.	L	292,2
783/784	H	128,0
785/786	H1	17,5
	H4	188,7
	C	17
	E	300
	T	20,0
	F	2
	K	102
	K1	70
	Z1	11
	Z2	9
	Weig.	34,5



SIZE (DN100-150) :

	DN	100	125	150
Ref.	L	332,0	399	442,8
783/784	H1	86,8	86,8	99,0
785/786	H3	234,8	240,3	271,5
	C	27	27	36
	E	758	758	950
	T	20,0	22,0	22,0
	F	2	2	2
	K	125	125	140
	Z4	1/2"-13	1/2"-13	5/8"-11
783/785	Weig.	67	95	124
784/786	Weig.	61,8	95	127



STANDARDS :

. DIRECTIVE 97/23/CE : CE N° 0035

. Risk category II

. ATEX 94/9/EC (Group II Category 2)