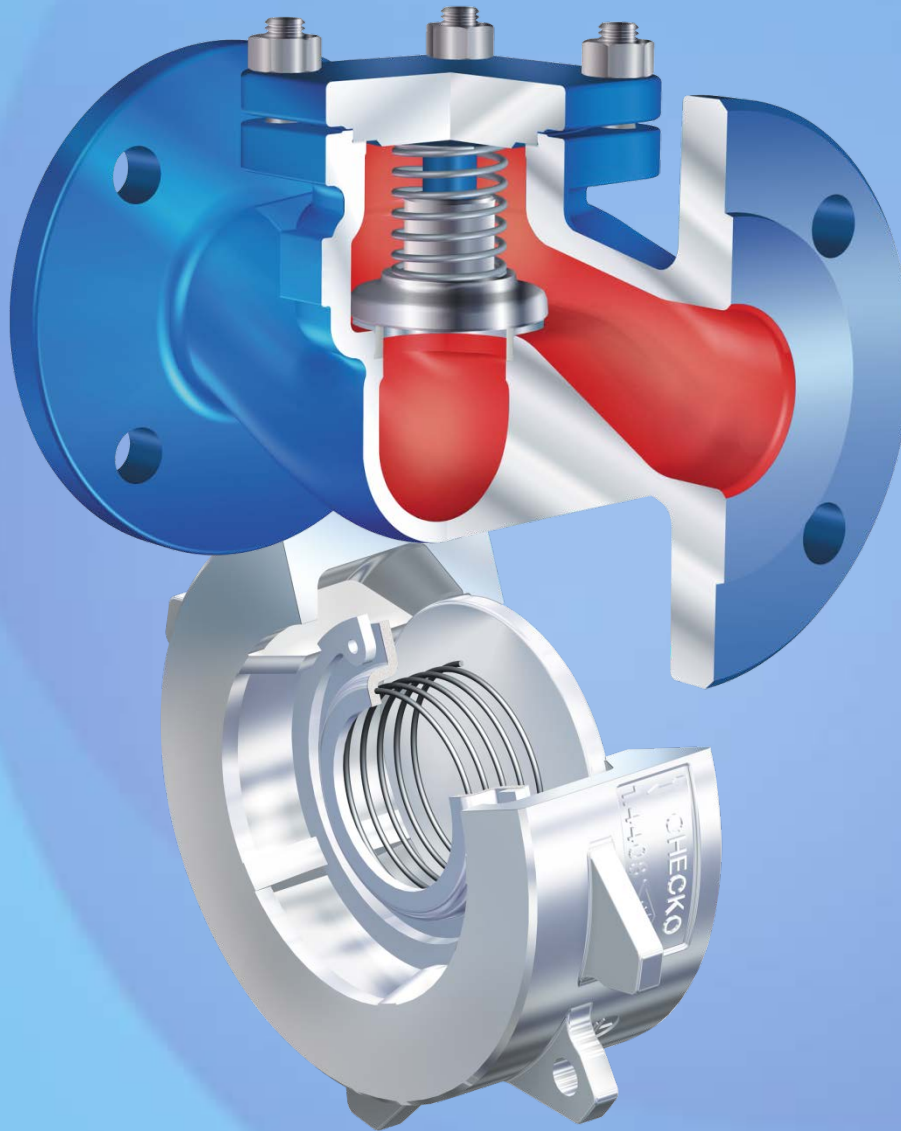


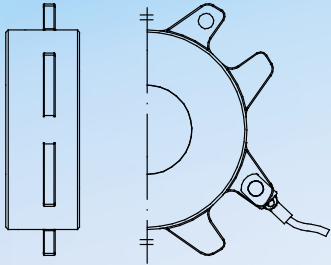
CHECKO[®]-V / -D - Overview



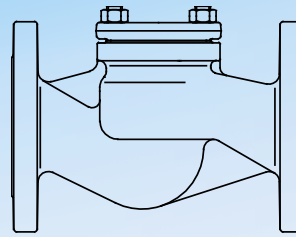
For your safety!

- ▶ Check valves – also as disc check valve in clamping version (CHECKO[®]-D)
- ▶ DN15 – DN500
- ▶ PN16 – PN40
- ▶ Temperature -10°C bis +450°C
- ▶ Metallic sealing
- ▶ Precise plug / valve plate guidance
- ▶ Solid plug, valve plate and seat made of stainless steel
- ▶ body material
 - ▶ EN-JL1040
 - ▶ EN-JS1049
 - ▶ 1.0619+N
 - ▶ 1.0460
 - ▶ 1.4408
- ▶ Re-setting spring made of stainless steel
- ▶ Optional
 - ▶ Plug with soft sealing

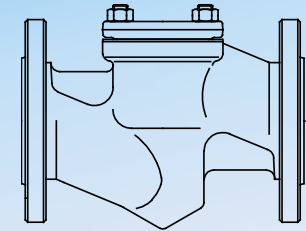
CHECKO[®]-V / -D - Variants



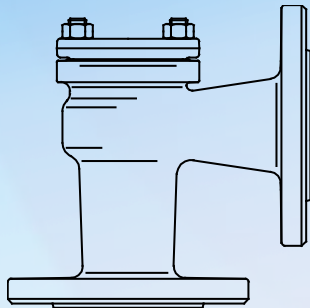
- ▶ 001 CHECKO-D, disc check valve in clamping version, e.g. with earth connection



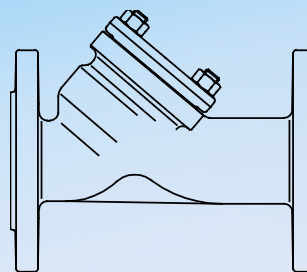
- ▶ 003 Check valve with flanges



- ▶ 003 Check valve with flanges

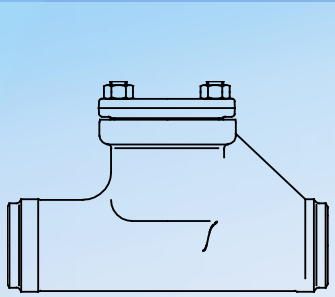


- ▶ 004 Check valve - angle pattern with flanges

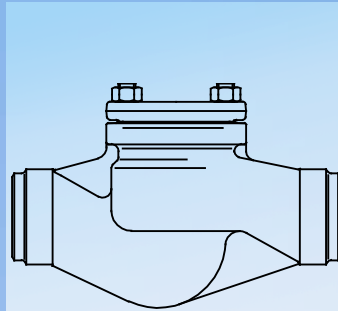


- ▶ 039 Check valve - Y-pattern with flanges

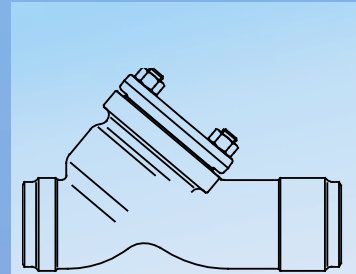
CHECKO[®]-V / -D - Variants



▶ 030 Check valve with butt weld ends



▶ 030 Check valve with butt weld ends



▶ 063 Check valve - Y-pattern with butt weld ends