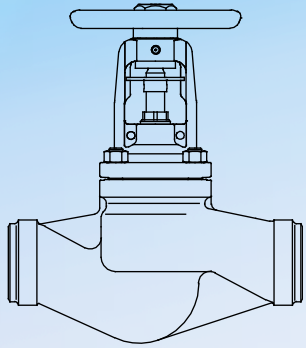


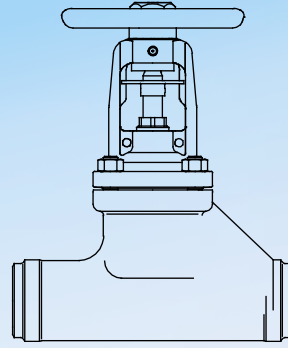
The new generation - with 100% tight shut-off technology!

- ▶ stop valve with bellows seal
- ▶ DN 15 – DN 400
- ▶ PN6 – PN40 / ANSI Class 150 and 300
- ▶ Temperature -10°C - +450°C
- ▶ metallic sealing
- ▶ maintenance-free
- ▶ double wall bellows seal as standard
- ▶ secondary sealing: gland packing
- ▶ plug with marginal seat
- ▶ stem with fine thread
- ▶ body material
 - ▶ EN-JL1040
 - ▶ EN-JS 1049
 - ▶ 1.0619+N
 - ▶ 1.0460
 - ▶ 1.4408
 - ▶ SA216WCB
 - ▶ SA105
- ▶ position indicator as standard
- ▶ non-rising handwheel
- ▶ non-rotation lock for each nominal diameter
- ▶ Bonnet optimized for accessories

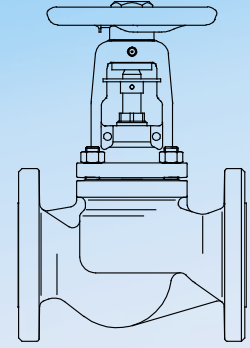
FABA Plus - Variants



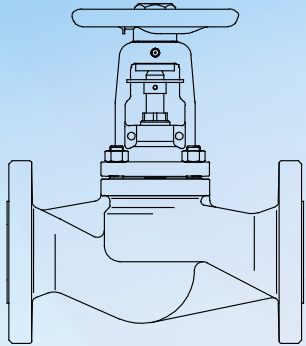
▶ 040plus – with bellows seal



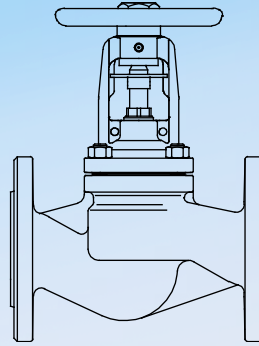
▶ 040plus - with butt weld ends



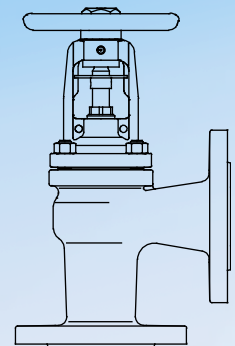
▶ 041 -



▶ 041plus

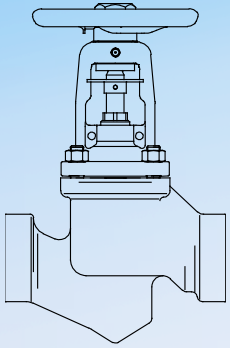


▶ 046plus – with flanges and bellows seal

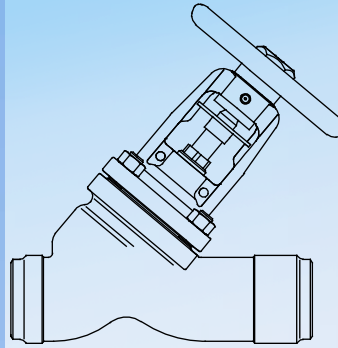


▶ 047plus - angle pattern with flanges and bellows seal

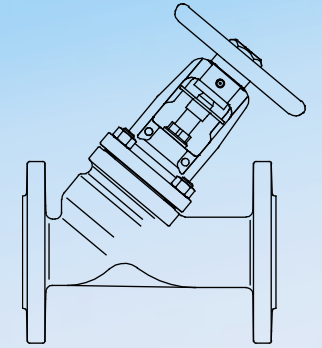
FABA Plus - Variants



▶ 049plus -



▶ 066plus – Y-pattern with butt weld ends and bellows seal



▶ 069plus – Y-pattern with flanges and bellows seal