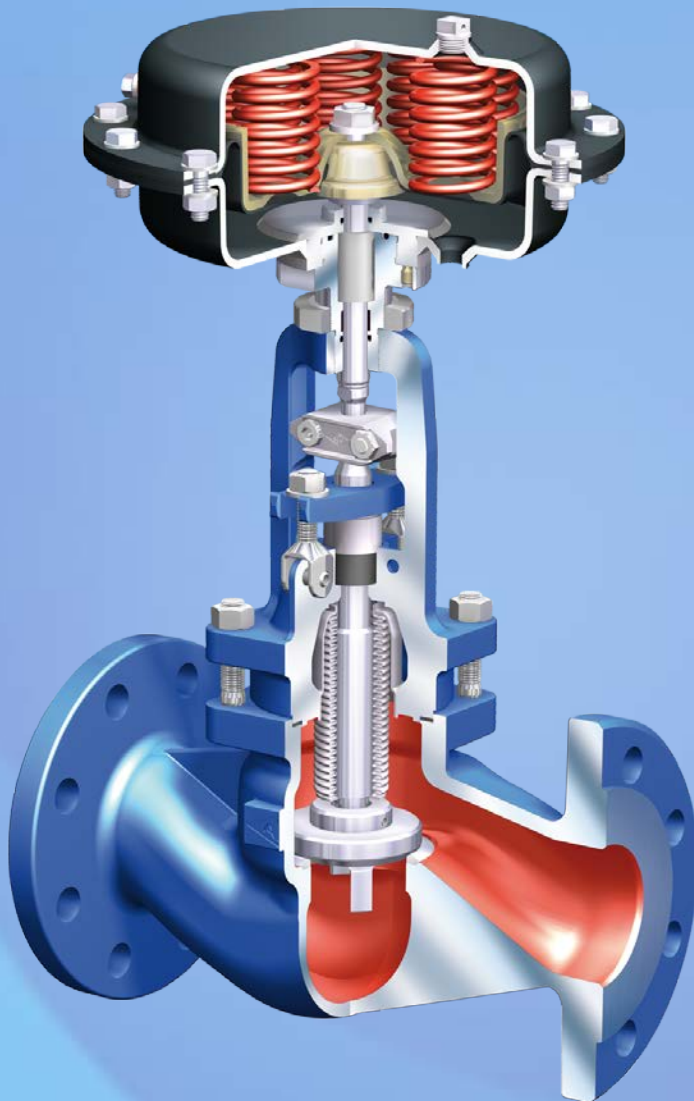


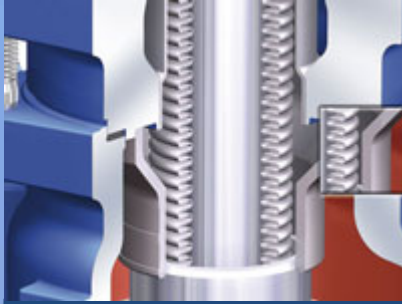
FABA SUPRA I / C - Overview



The new generation - for industrial / chemical applications!

- ▶ stop valve with bellows seal
- ▶ DN 15 – DN 300
- ▶ PN6 – PN40 / ANSI Class 300
- ▶ Temperature ... °C - +450°C
- ▶ metallic sealing
- ▶ maintenance-free
- ▶ double wall bellows seal as standard
 - ▶ bellows seal welded to bonnet
 - ▶ bellows seal 10.000 load cycles
 - ▶ Supra I – bellows seal shielded
 - ▶ Supra C – bellows seal flushed
- ▶ stem back seal
- ▶ secondary sealing: gland packing (with bridge)
- ▶ yoke gasket, double chambered
- ▶ plug with marginal seat
- ▶ welded seat
- ▶ body material
 - ▶ 1.0619+N
 - ▶ 1.0460
 - ▶ 1.4408
 - ▶ 1.4581
 - ▶ SA216WCB
- ▶ External stem thread
- ▶ Stem with roll hardened thread
- ▶ Actuator retrofitting

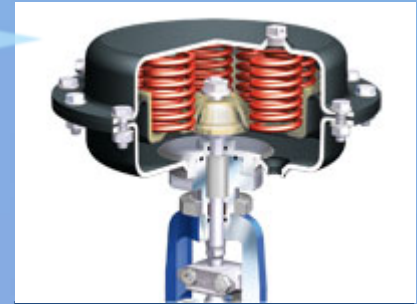
FABA SUPRA I / C - Details



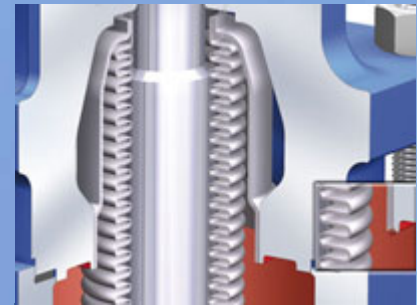
Bellows cover – for increased resistance to water hammer



Rugged plug / stem guide – permits higher differential pressures

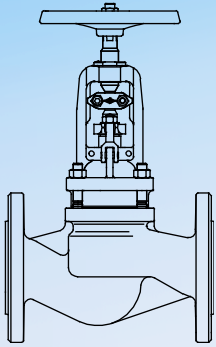


Two-piece stem allows retrofitting with pneumatic actuator

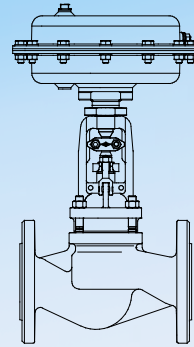


Reinforced bellows (10,000 complete cycles) – welded to the top part of the body

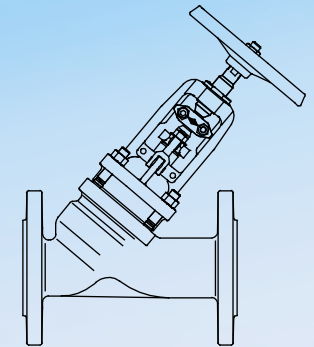
FABA SUPRA I / C - Variants



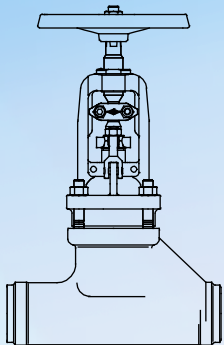
▶ 146 – Straight through with flanges



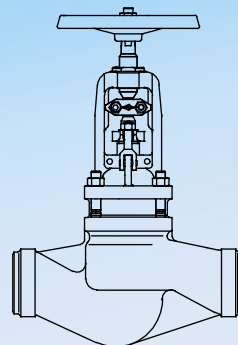
▶ 146 - Straight through with flanges with pneumatic actuator ARI-FA



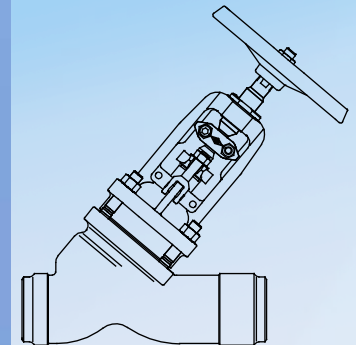
▶ 169 – Y-pattern with flanges



▶ 140 – Straight through with butt weld ends

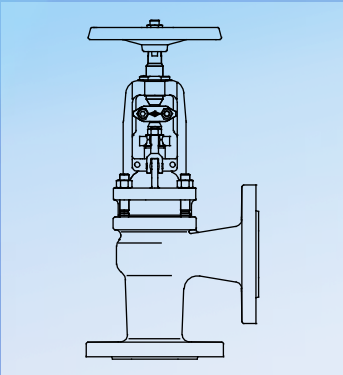


▶ 140 – Straight through with butt weld ends

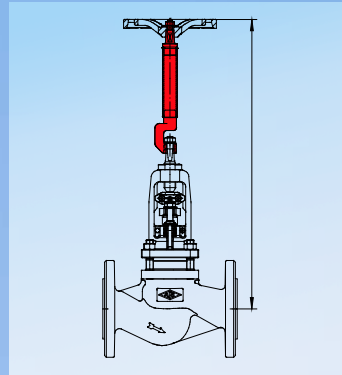


▶ 166 – Y-pattern with butt weld ends

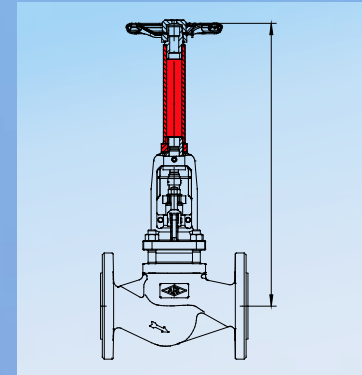
FABA SUPRA I / C - Variants



- ▶ 147 – angle patterns with flanges



- ▶ 146 – straight through with stem extension, two-piece stem



- ▶ 146 – straight through with stem extension, one-piece stem