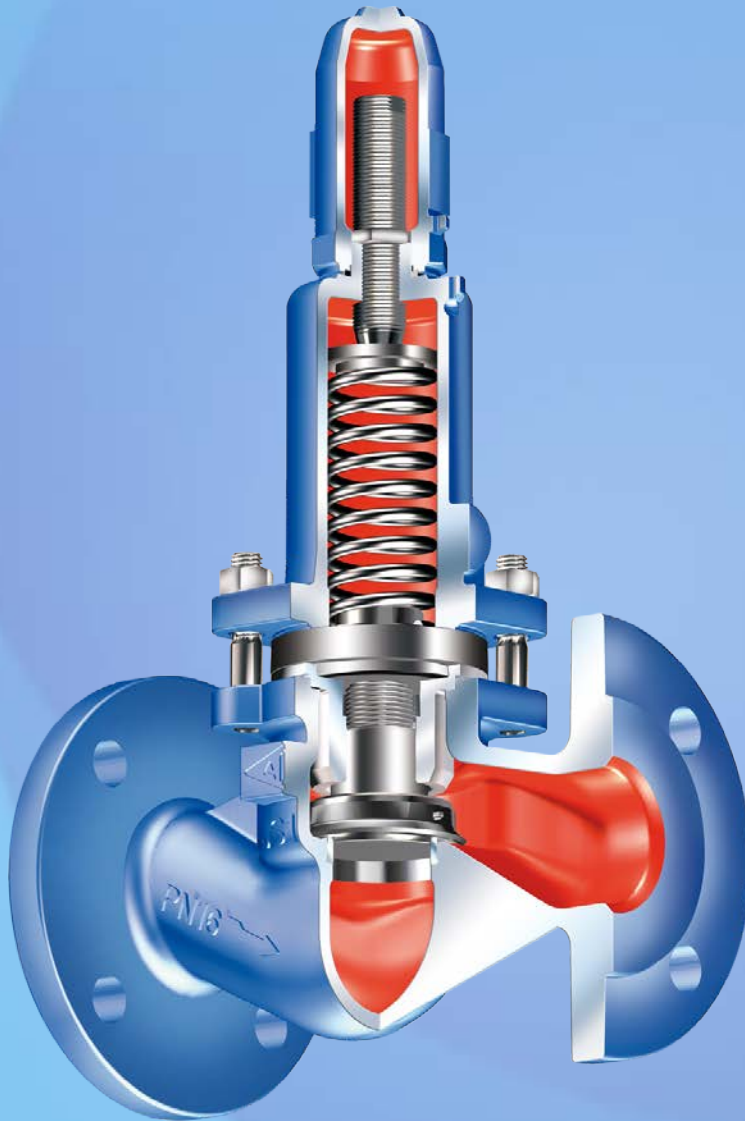


# PRESO<sup>®</sup> 750 - Overview



## pressure regulating valve

- ▶ DN 15 - 100
- ▶ PN 16
- ▶ Temperature -10°C bis 350°C
- ▶ spring loaded
- ▶ body material
  - ▶ EN-JL 1040
  - ▶ EN-JS 1049
  - ▶ 1.0619+N
  - ▶ 1.4408
- ▶ bellows seal
- ▶ compact design
- ▶ regulating plug
- ▶ shaft plug guide
- ▶ exact and easy adjustment
- ▶ proportional flow characteristic

# PRESO<sup>®</sup> 750 - Details



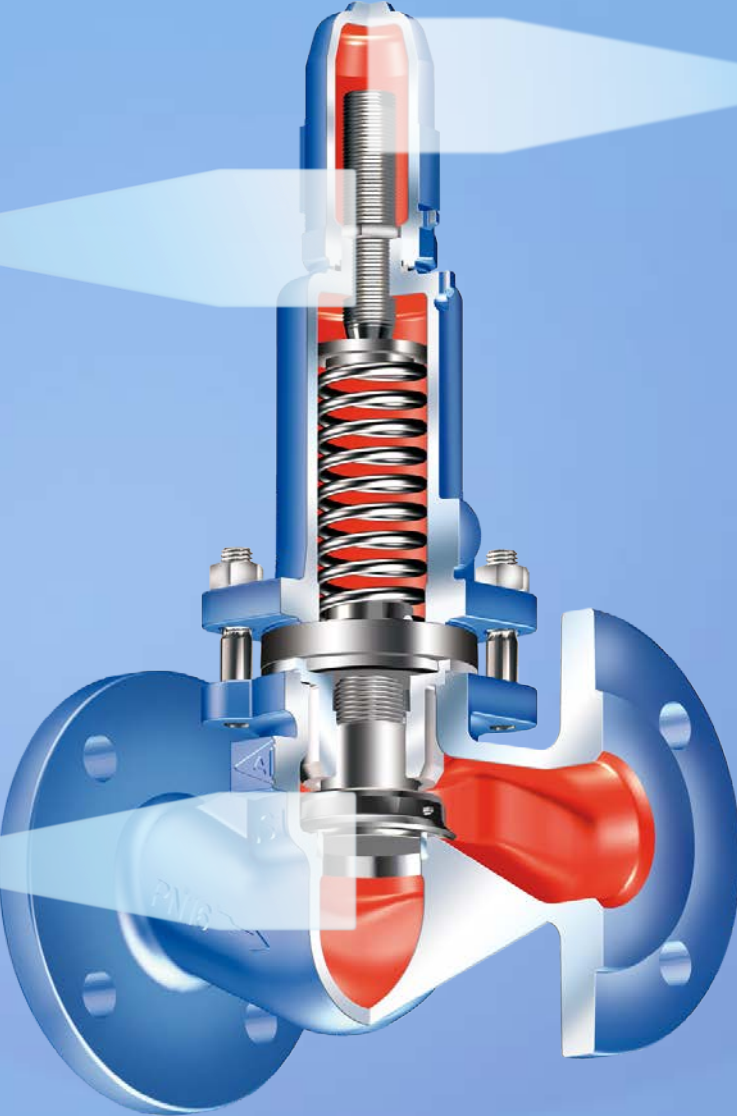
Exact and easy pressure range adjustment.



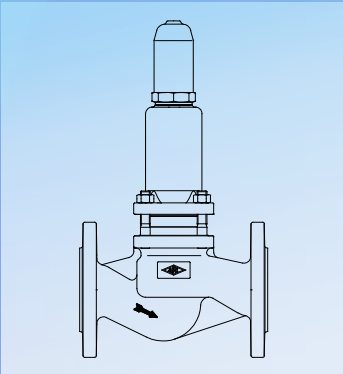
Manual control device (optional)



Bellows seal and regulating plug



# PRESO® 750 - Variants



- ▶ 750 Pressure regulating valve - straight through with flanges- spring loaded