

fig. SAFE 971

Safety valves according to API526

- ▶ 1" – 8" bzw. DN25 – DN200
- ▶ ANSI150, ANSI300 and ANSI600
- ▶ Temperature up to +538°C/1000°F
- ▶ Type test approval
 - ▶ ASME Code Section VIII-Division 1.
 - ▶ UV-stamp NB-stamp
- ▶ for gases, vapours and liquids
- ▶ Direct loaded with spring
- ▶ Metal seal
- ▶ Flip-over plug (the sealing plates can be used on both sides)
- ▶ Wear resistant seat/disc
- ▶ Precision disc alignment and guide
- ▶ body material
 - ▶ SA216WCC
 - ▶ SA217WC6
 - ▶ SA351CF8M
- ▶ optional
 - ▶ soft sealing disc
 - ▶ bellows of stainless steel
 - ▶ proximity switch

SAFE-FN ANSI - Details



Accurately centred nozzle (nozzle thread close to the seat) assures precise repeatability of the set pressure



Flip-over plug (the sealing plates can be used on both sides) assures simple handling and easy servicing

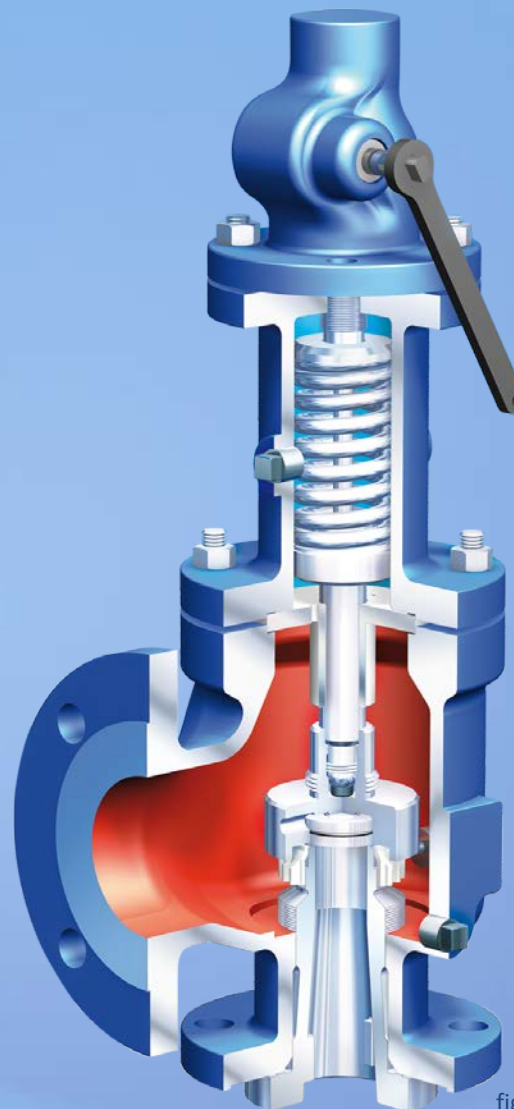
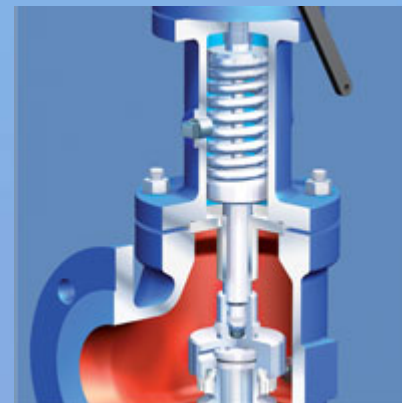
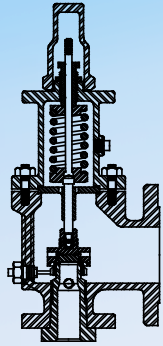


fig. SAFE 971

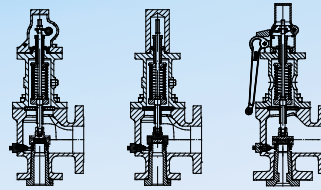


Two-piece stem assures optimal guiding of the plug on the seat

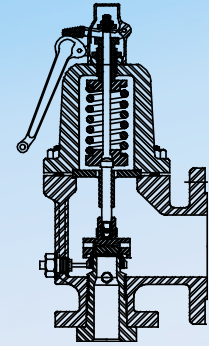
SAFE-FN ANSI - Variants



▶ 971 ANSI-Safety relief valve acc. to API526 – closed lifting device



▶ 971/973/974 ANSI-Safety relief valve acc. to API526 – closed or open lifting device, gas-tight cap



▶ 974 ANSI-Safety relief valve acc. to API526 – open lifting device