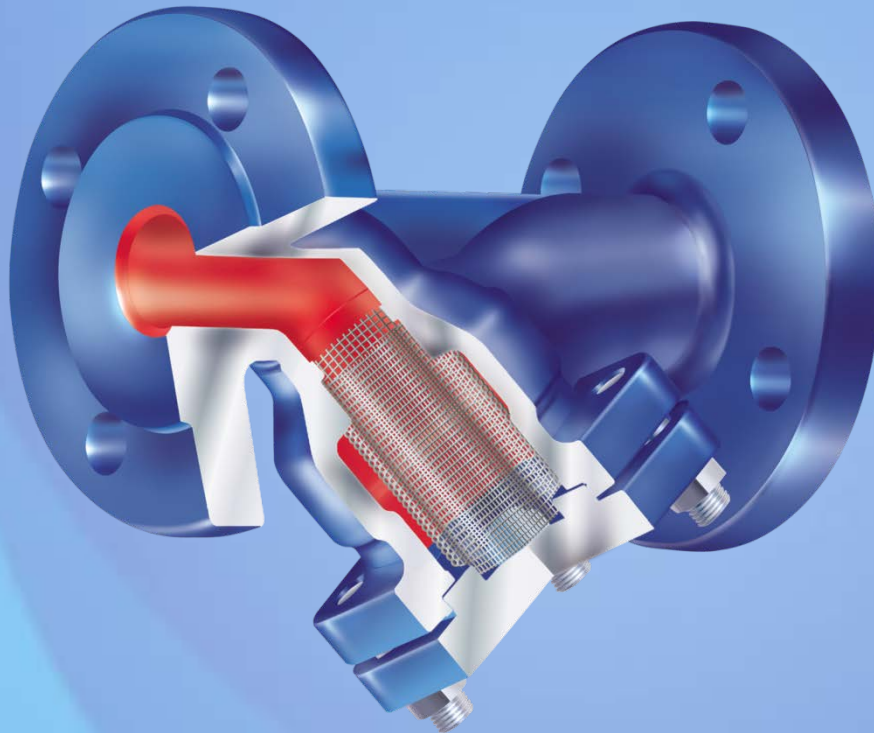
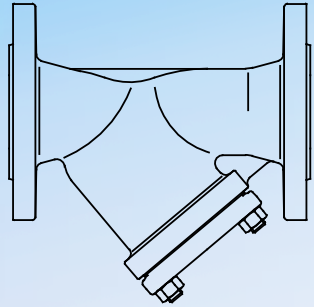


Strainer - Overview

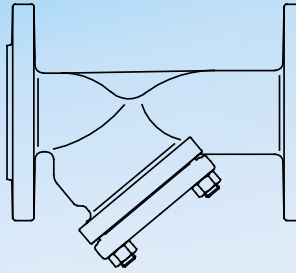


- ▶ Strainer
- ▶ DN15 – DN300
- ▶ PN16 – PN40
- ▶ Temperature -10°C bis +450°C
- ▶ Screen and supporting basket made of stainless steel
- ▶ body material
 - ▶ EN-JL1040
 - ▶ EN-JS1049
 - ▶ 1.0619+N
 - ▶ 1.4408
- ▶ Screen from DN50 with reinforced ring
- ▶ Screen from DN150 with supporting basket
- ▶ Precise guidance of screen in cover and body
- ▶ Optional
 - ▶ Fine screen
 - ▶ Bleed screw
 - ▶ Supporting basket stainless steel

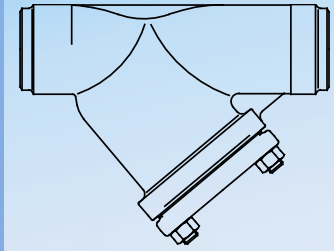
Strainer - Variants



▶ 050 Strainer - Y-pattern with flanges



▶ 059 Strainer - Y-pattern with flanges, stainless steel



▶ 080 Strainer - Y-pattern with butt weld ends