

CHARACTERISTIC:

Diameter	-	15 - 300 mm;
Pressure	-	40 (16, 25) bar;
Temperature	-	up to 550°C;
Medium	-	water, steam and other non-toxic, non aggressive liquid and gas media and engine fuel, sea water

VERSION:

type / ends / body material

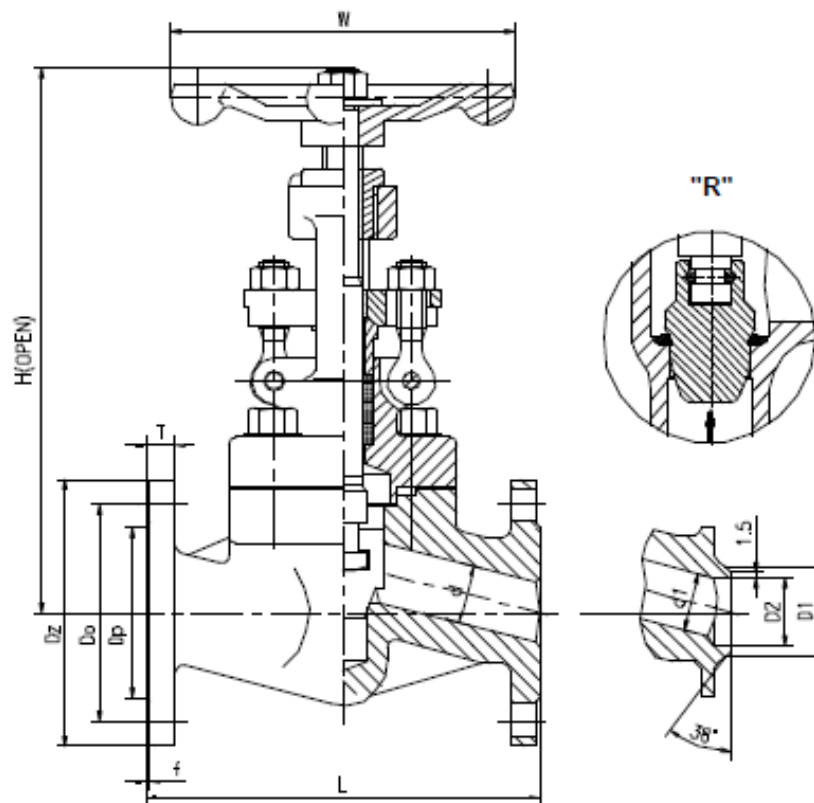
Example: 218V / --- / ---

Ends type	Sign	Body material	Sign	Disc and disc ring	Sign
Flanged	---	P250GH (1.0480)	---	Standard	---
Butt weld ends	S	13CrMo4-5 (1.7335)	A	With regulating disc	R
		G17CrMo5-5 (1.7357)			

APPLICATION:

Stop globe valve is designed to open and stop the flow. The valve can be used as a regulating device.

DN 15 - 300



MATERIALS:

Version Parts	Standard T _{MAX} 450°C		A T _{MAX} 550°C	
	Body, bonnet DN 15-50	P250GH (1.046D) DN 15-50	GP240GH (1.0619) DN 65-300	13CrMo4-5 (1.7335) DN 15-50
Seat ring	13Cr	Body material + Stellite	13Cr	13Cr
Disc DN 15-50	410	A105 +Stellite	A276-410	A276-410
Stem	410	A182 F6	410	410
Bolts	A193-B7		A193-B16	
Nuts	A194-2H		A194-4	
Gasket	304 + Grafit		304 + Grafit	
Wheel	Zelwo sferoidalne		Zelwo sferoidalne	

DIAMETER:

DN	Standard - Flanged																				Butt weld ends „S”				
	PN40										PN16					PN25					Dz	Dw	Masa		
	Dz	Dp	Do	do	n	L	g.	f	H	h	Dk	Masa	Dz	Dp	Do	d _o	n	Dz	Dp	Do				do	n
16	95	45	85	14	4	130	18	2	155	13	120	3,80	95	45	85	14	4	95	45	85	14	4	22	17	2,40
20	105	58	75	14	4	150	18	2	155	13	120	4,50	105	58	75	14	4	105	58	75	14	4	28	22	2,50
25	115	68	85	14	4	180	18	2	155	13	120	5,00	115	68	85	14	4	115	68	85	14	4	35	28,5	2,80
32	140	78	100	18	4	180	18	2	195	15	160	9,50	140	78	100	18	4	140	78	100	18	4	44	37	6,20
40	150	88	110	18	4	200	18	3	205	19	160	10,70	150	88	110	18	4	150	88	110	18	4	50	43	5,90
60	165	102	125	18	4	230	20	3	215	24	160	12,80	165	102	125	18	4	165	102	125	18	4	62	54	8,10
85	185	122	145	18	8	290	22	3	245	30	200	28,40	185	122	145	18	4	185	122	145	18	4	77	69	17,50
80	200	138	160	18	8	310	24	3	300	40	250	38,70	200	138	160	18	8	200	138	160	18	8	91	81	23,50
100	235	162	190	22	8	350	24	3	402	45	320	52,50	220	158	180	18	8	235	162	190	22	8	117	104	40,80
125	270	188	220	28	8	400	28	3	438	55	280	70,20	250	184	210	18	8	270	188	220	28	8	144	130,5	67,70
150	300	218	250	28	8	480	28	3	496	65	320	106,50	285	212	240	22	8	300	218	250	28	8	172	156,5	86,80
200	375	285	320	30	12	600	34	3	578	75	400	207,20	340	288	295	22	12	380	278	310	28	12	223	204,5	171,40
250	450	345	385	33	12	730	38	3	690	130	400	325,00	405	320	355	28	12	425	335	370	30	12	278	256,5	276,80
300	515	410	450	33	16	850	42	3	730	205	600	530,00	480	370	410	28	12	485	395	430	30	16	320	306,5	498,00

TECHNICAL DATA:

Body material	PN	Maximal working pressure at working temperature																
		20°C	100°C	150°C	200°C	250°C	300°C	350°C	400°C	450°C	480°C	500°C	510°C	520°C	530°C	540°C	550°C	560°C
		bar																
P250GH (1.046D)	16	16,0	16,0	16,0	14,5	12,9	11,4	9,9	8,4	5,3	-	-	-	-	-	-	-	
	25	25,0	25,0	25,0	22,6	20,2	17,9	15,5	13,1	8,2	-	-	-	-	-	-	-	
	40	40,0	40,0	40,0	36,2	32,4	28,6	24,8	20,9	13,1	-	-	-	-	-	-	-	
GP240GH (1.0619)	16	16,0	15,0	14,2	13,4	12,3	11,1	10,4	9,6	5,9	-	-	-	-	-	-	-	
	25	25,0	23,4	22,2	21,0	19,2	17,4	16,2	15,0	9,2	-	-	-	-	-	-	-	
	40	40,0	37,4	35,5	33,6	30,7	27,8	25,9	24,0	14,7	-	-	-	-	-	-	-	
13CrMo4-5 (1.7335)	16	16,0	16,0	16,0	16,0	16,0	16,0	14,9	14,4	13,7	13,1	12,6	12,0	11,8	11,6	10,0	8,9	
	25	25,0	25,0	25,0	25,0	25,0	25,0	23,3	21,3	19,7	18,1	15,6	13,9	11,5	10,1	8,7	7,3	
	40	40,0	40,0	40,0	40,0	40,0	40,0	37,3	34,1	31,5	28,9	25,0	22,3	18,3	15,2	13,4	11,7	
G17CrMo5-5 (1.7357)	16	16,0	16,0	16,0	16,0	16,0	16,0	14,9	13,7	12,6	11,6	10,0	8,9	7,5	7,3	5,6	4,7	
	25	25,0	25,0	25,0	25,0	25,0	25,0	23,3	21,3	19,7	18,1	15,6	13,9	11,5	7,3	8,3	7,3	
	40	40,0	40,0	40,0	40,0	40,0	40,0	37,3	34,1	31,5	28,9	25,0	22,3	18,3	18,2	15,4	11,7	

MOUNTING AND OPERATING:

The valve can only be mounted and operated by skilled, properly trained and qualified personnel. Incorrect assembly or operation of the valve may have substantial impact on the entire system such as fluid leakage, reduction in system's function etc.

Before a valve is installed the pipeline must be clean from any mechanical impurities. The compatibility of critical parameters of the flow must be checked with the parameters of the valve. Stop globe valve can be mounted to a pipe-line in any position. The direction of flow should only comply with the arrow marked on the body. The valve should be operated strictly with its assign. In order to provide valve's reliability the following suggestions must be observed:

- medium flowing through the valve is supposed to be clean out of any mechanical impurities;
- the valve must be protected from any mechanical damages during its work;
- nominal parameters marked on the valve must be observed.